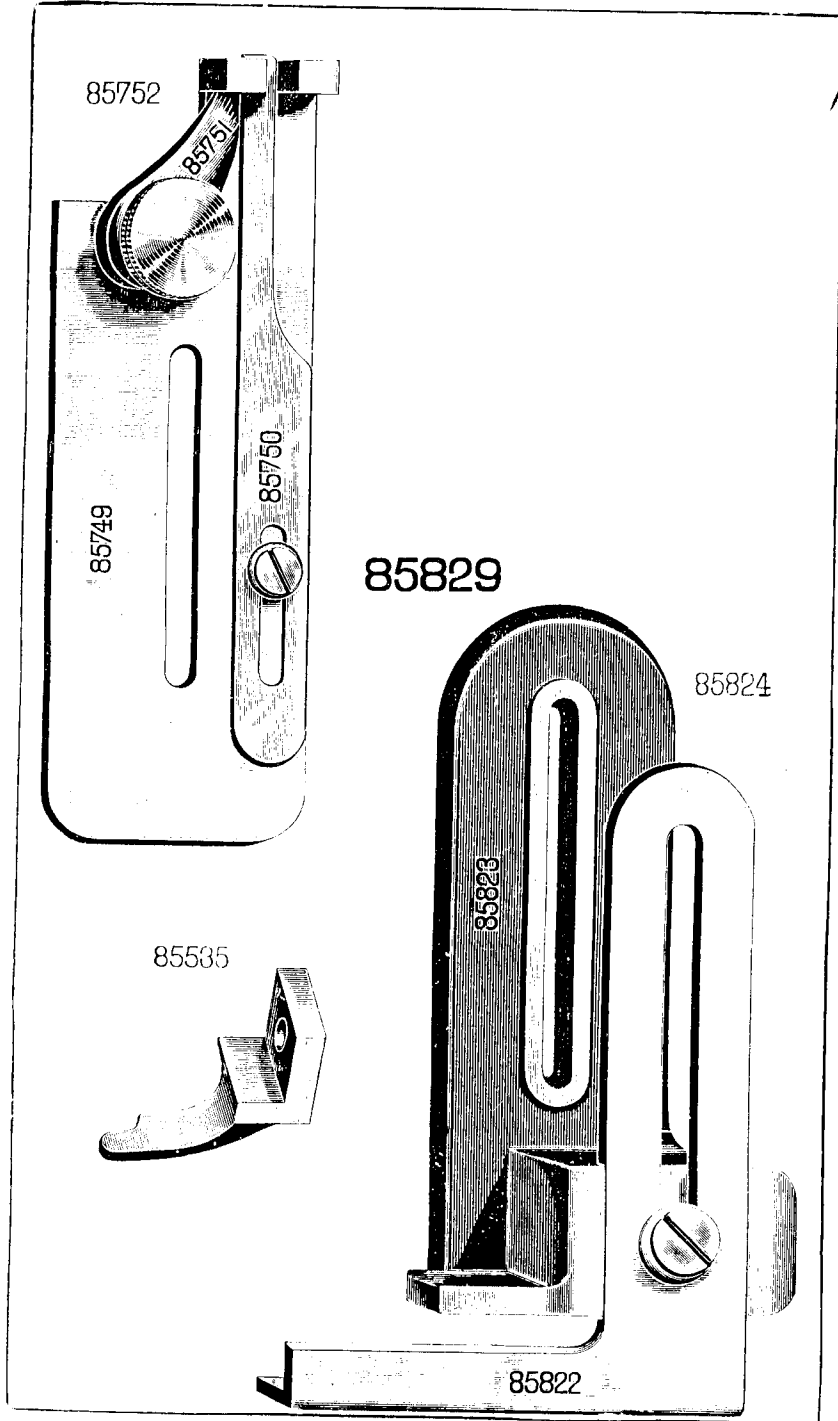
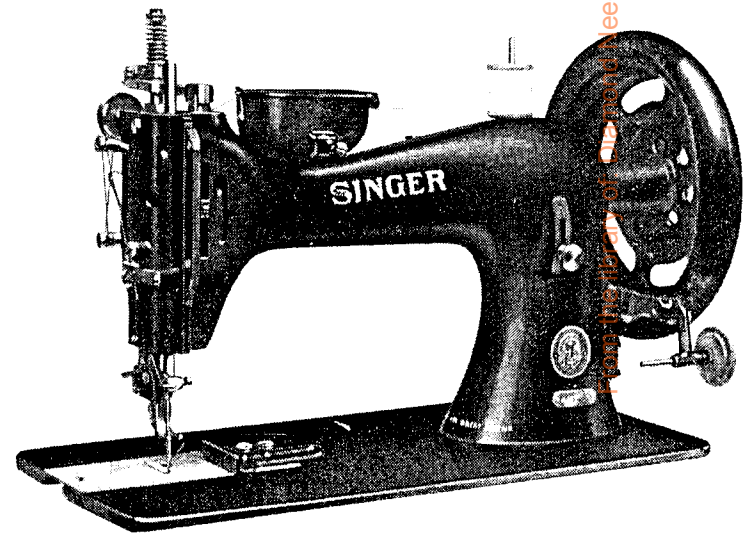


SINGER
45K80,K82,K84



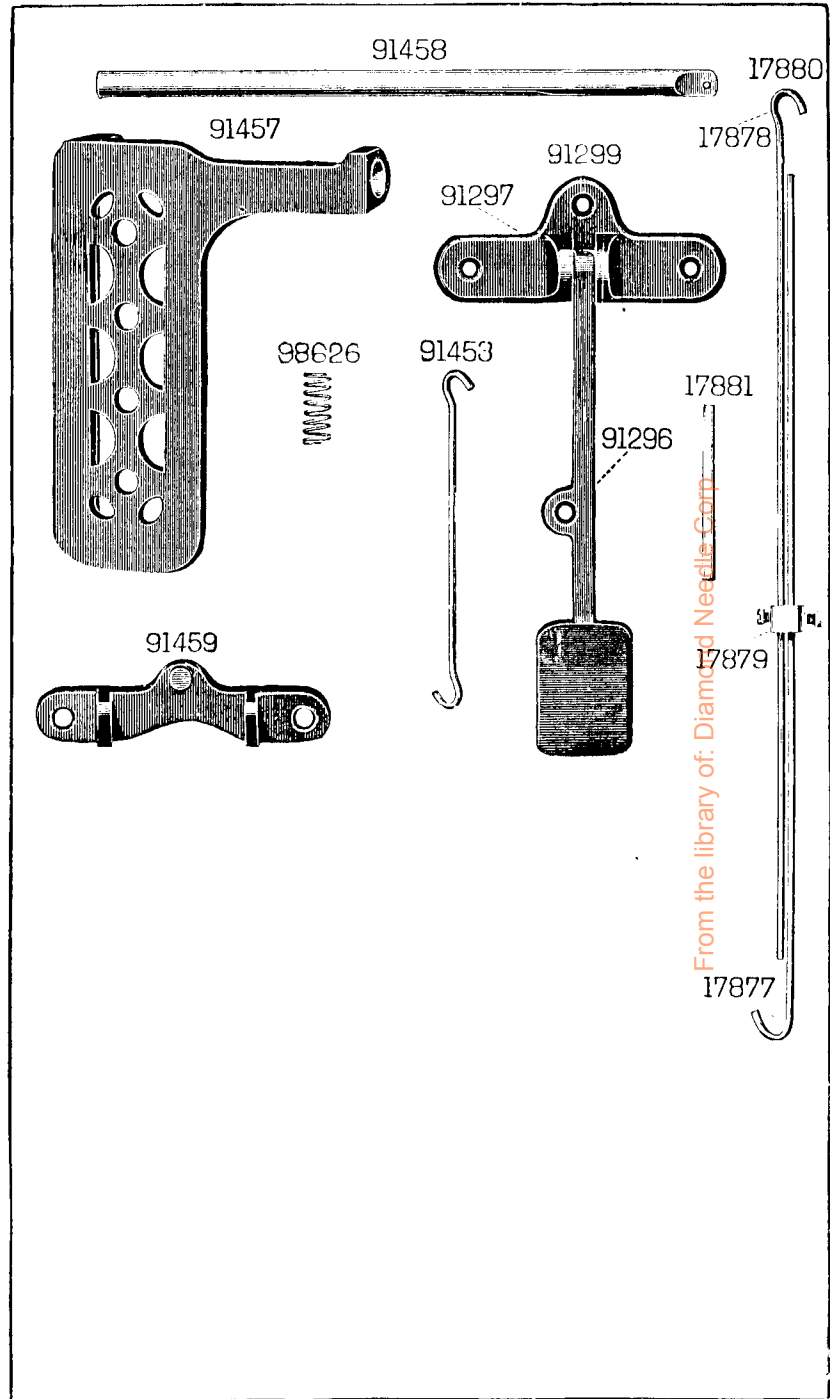
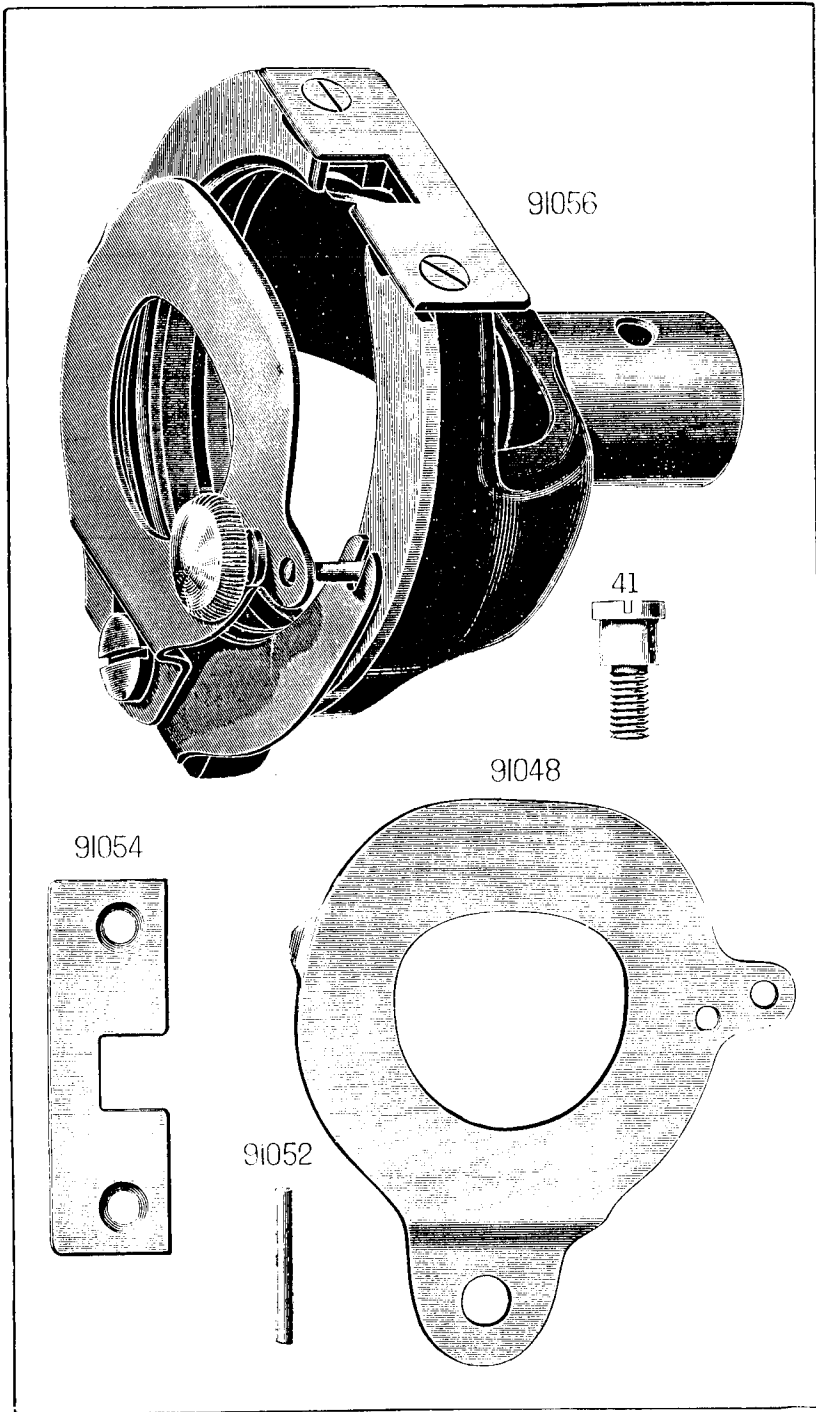
Form K6123
(Supersedes K1830)

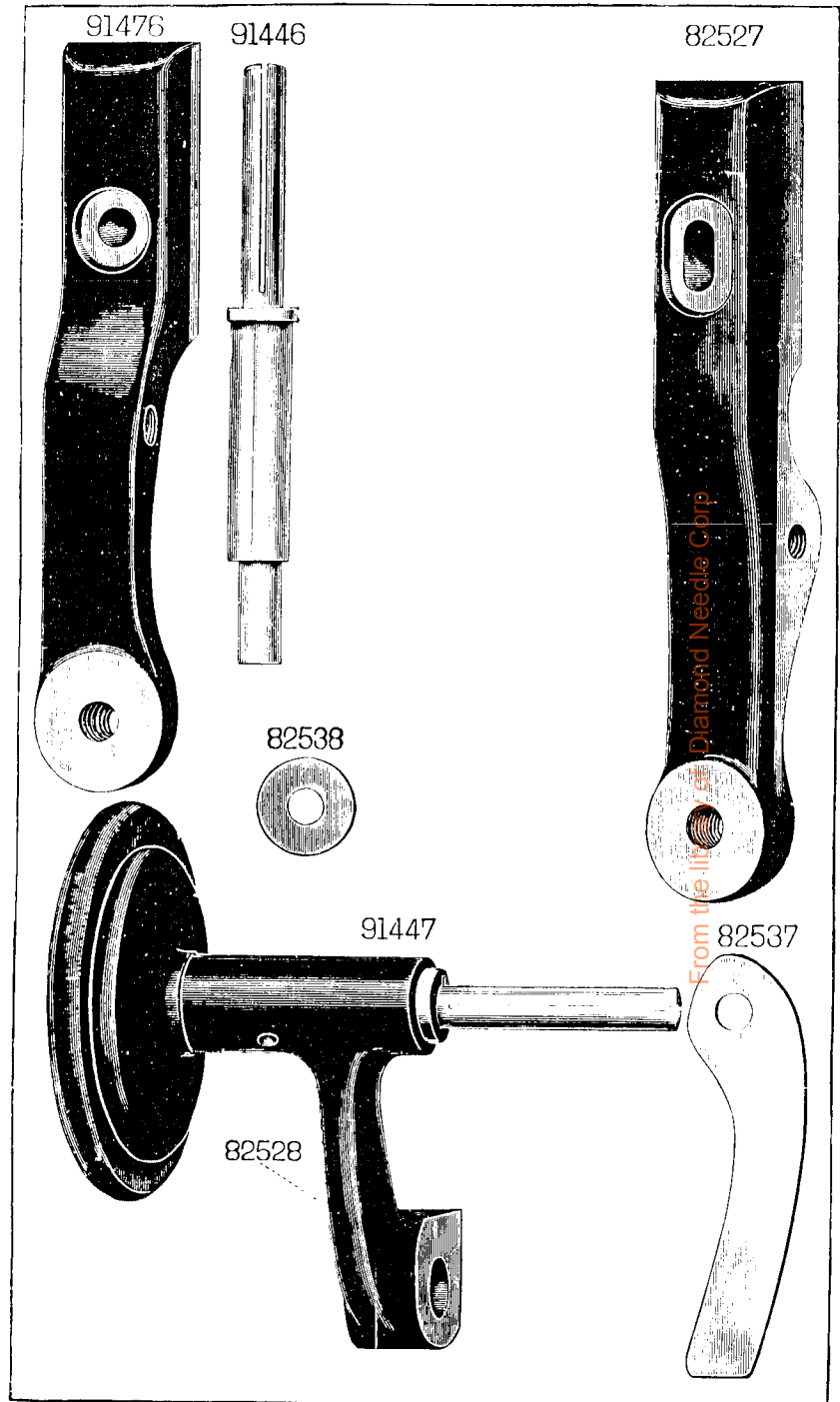
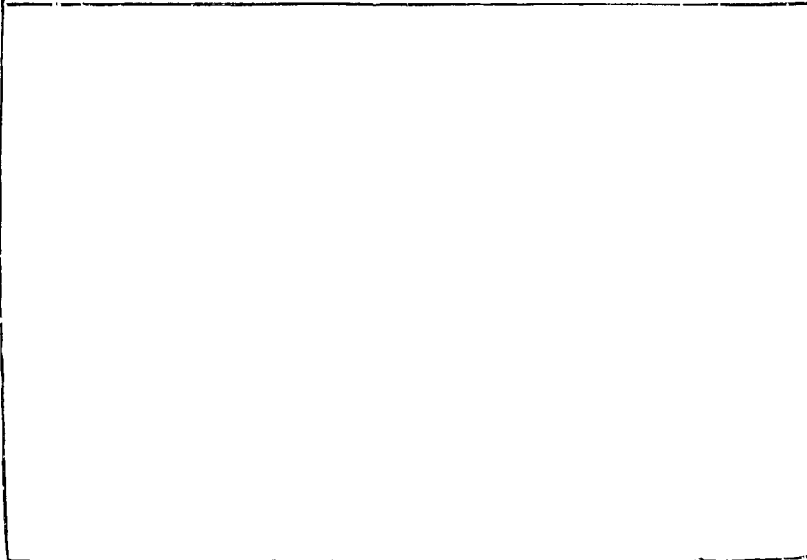
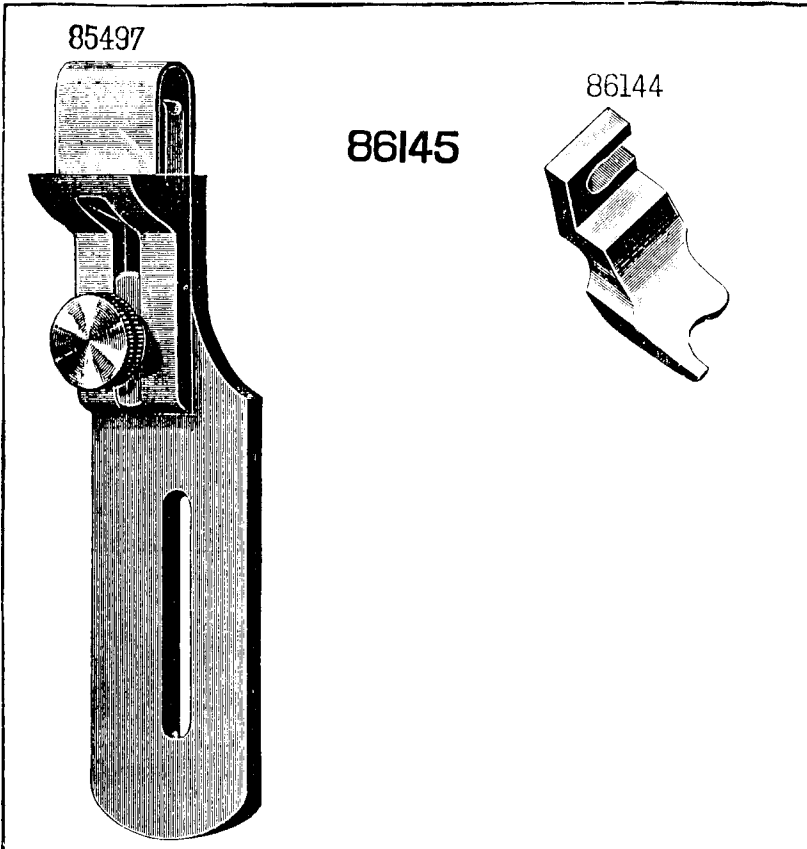
ILLUSTRATED
LIST OF PARTS
FOR
Nos. 45K80, 45K82 and
45K84 MACHINES

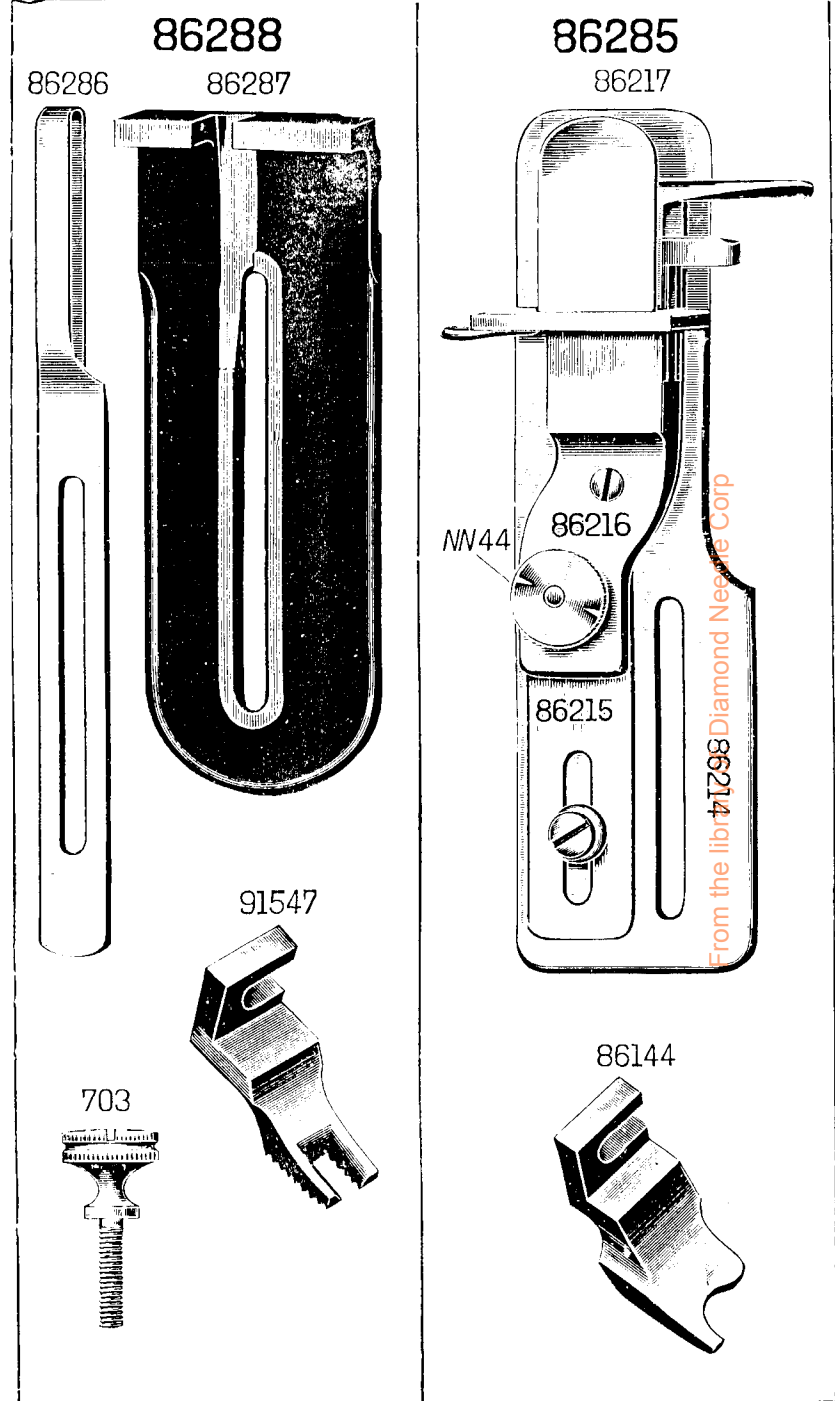
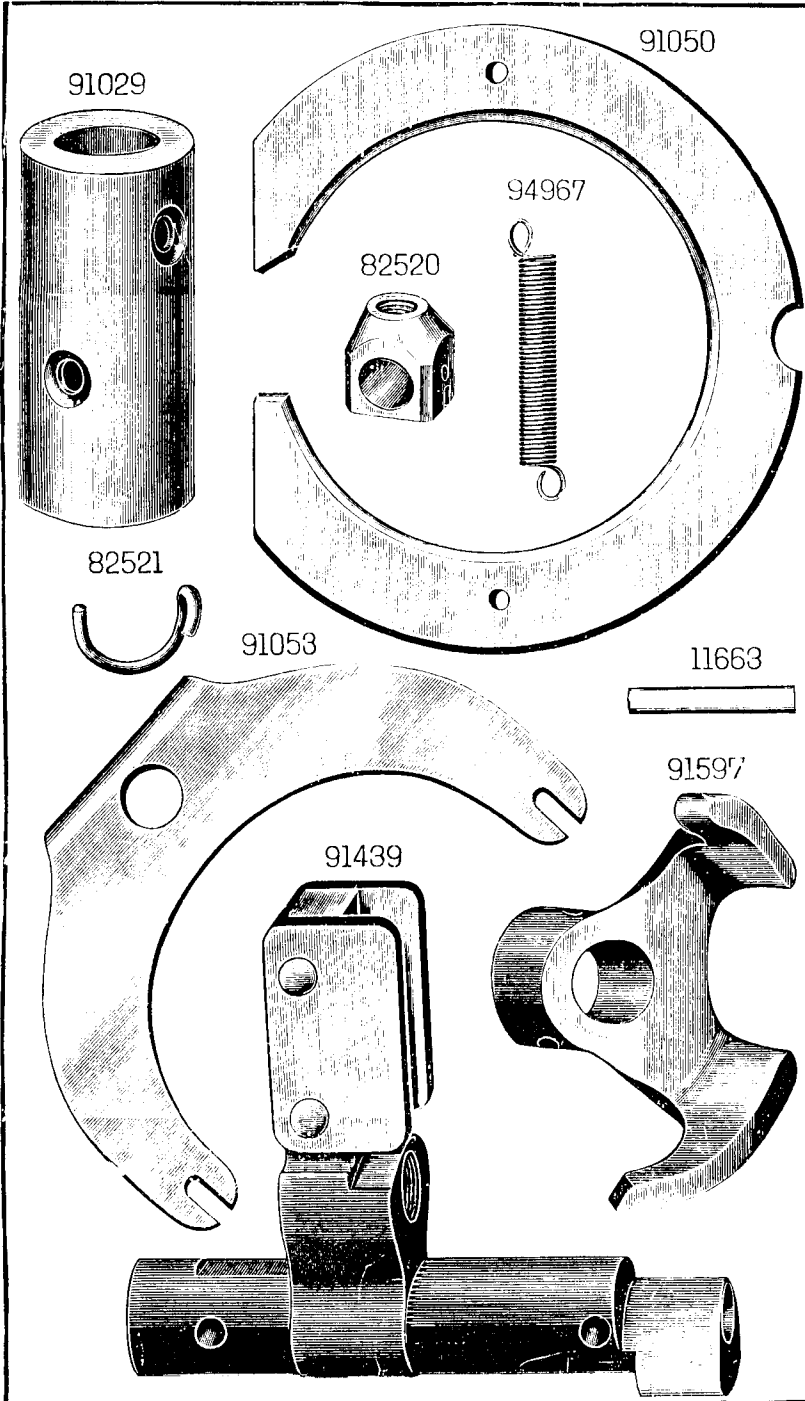


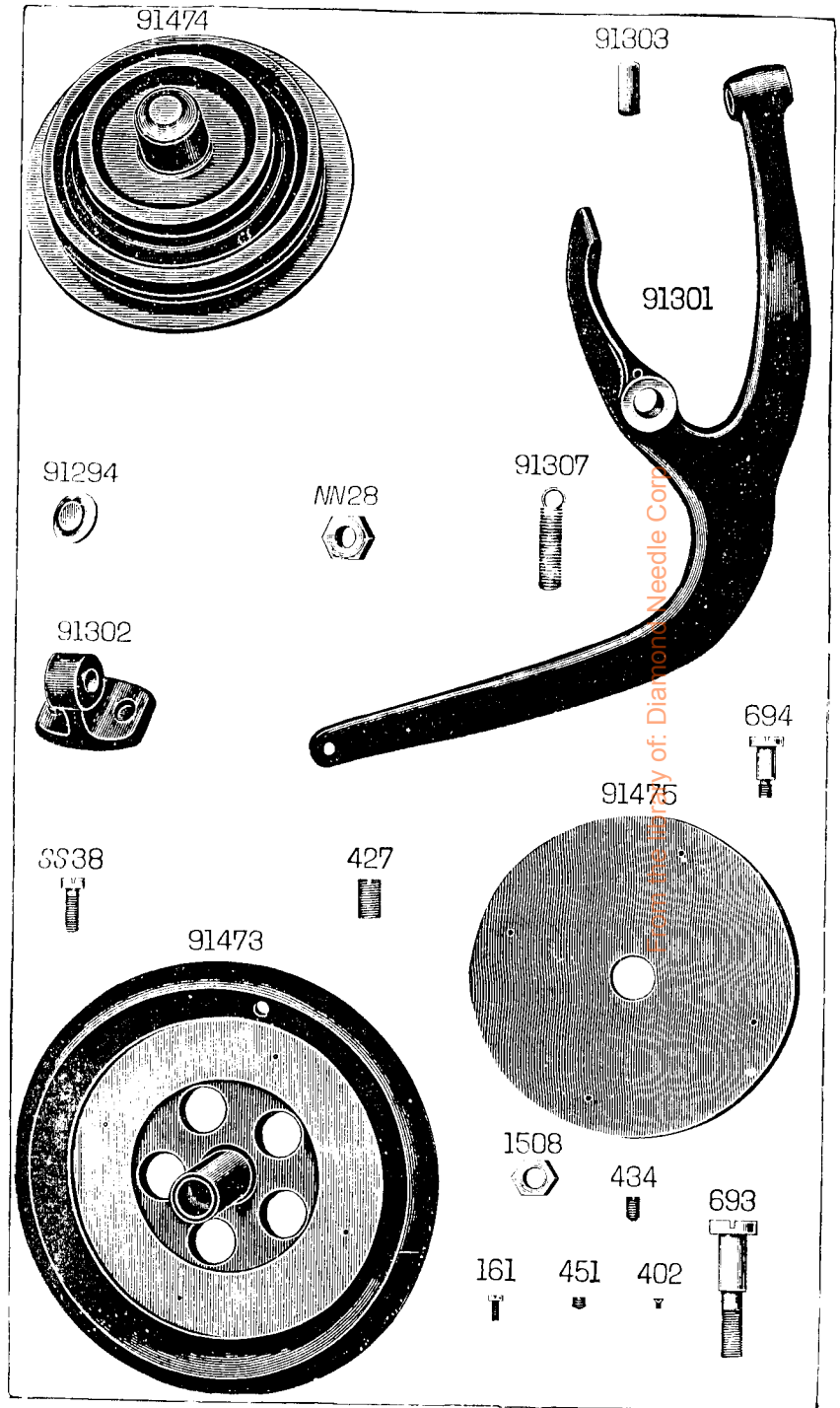
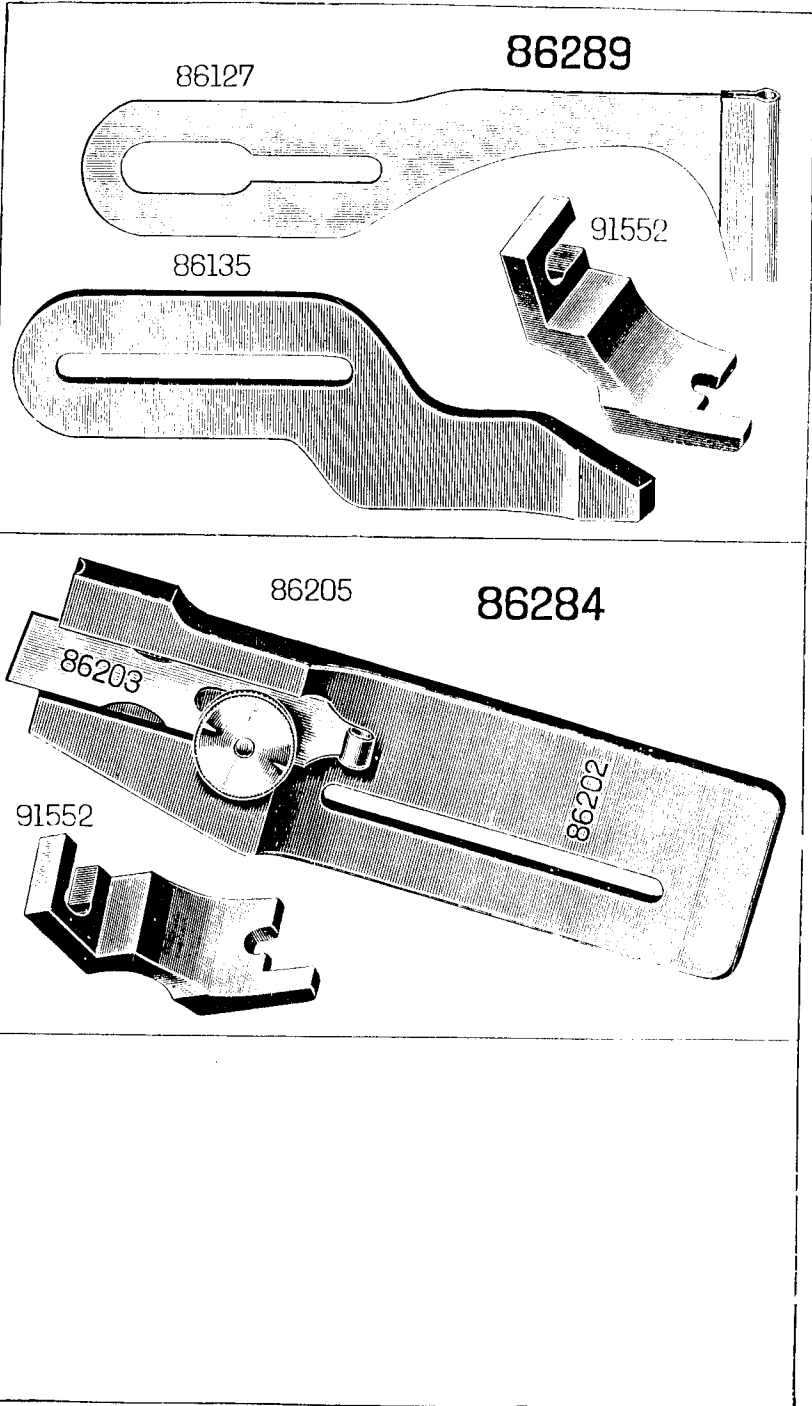
No. 45K80 Machine

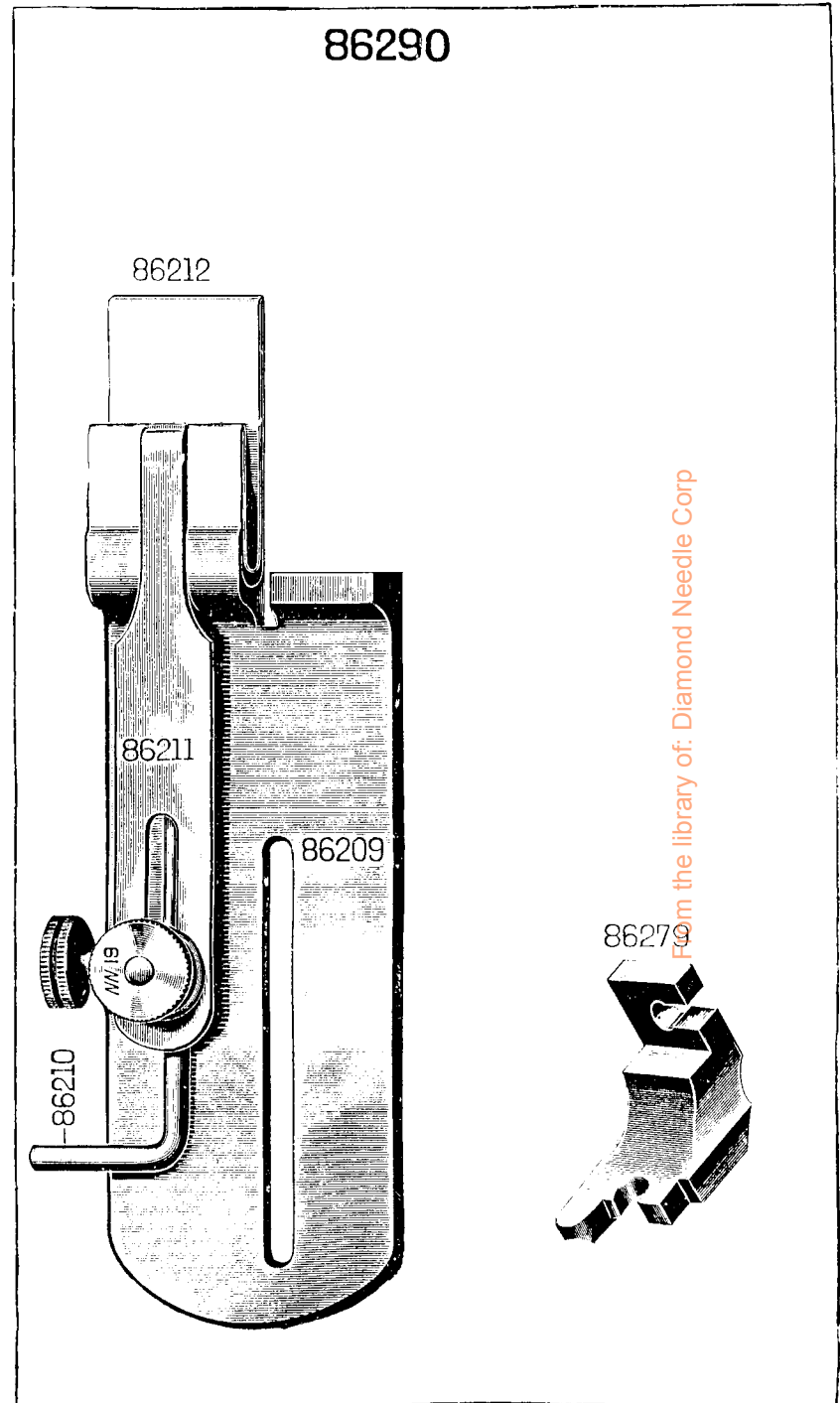
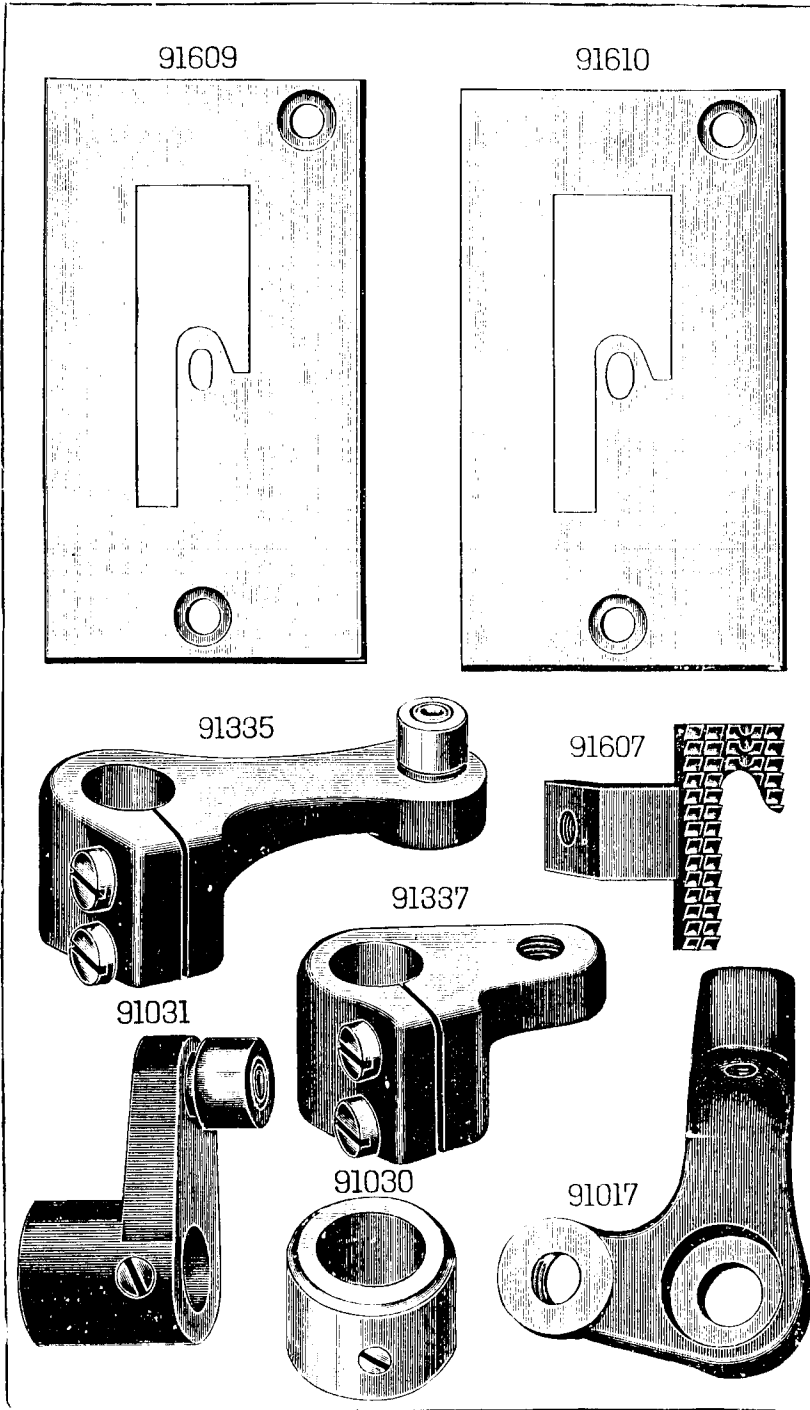
** A Trade Mark of THE SINGER MANUFACTURING COMPANY

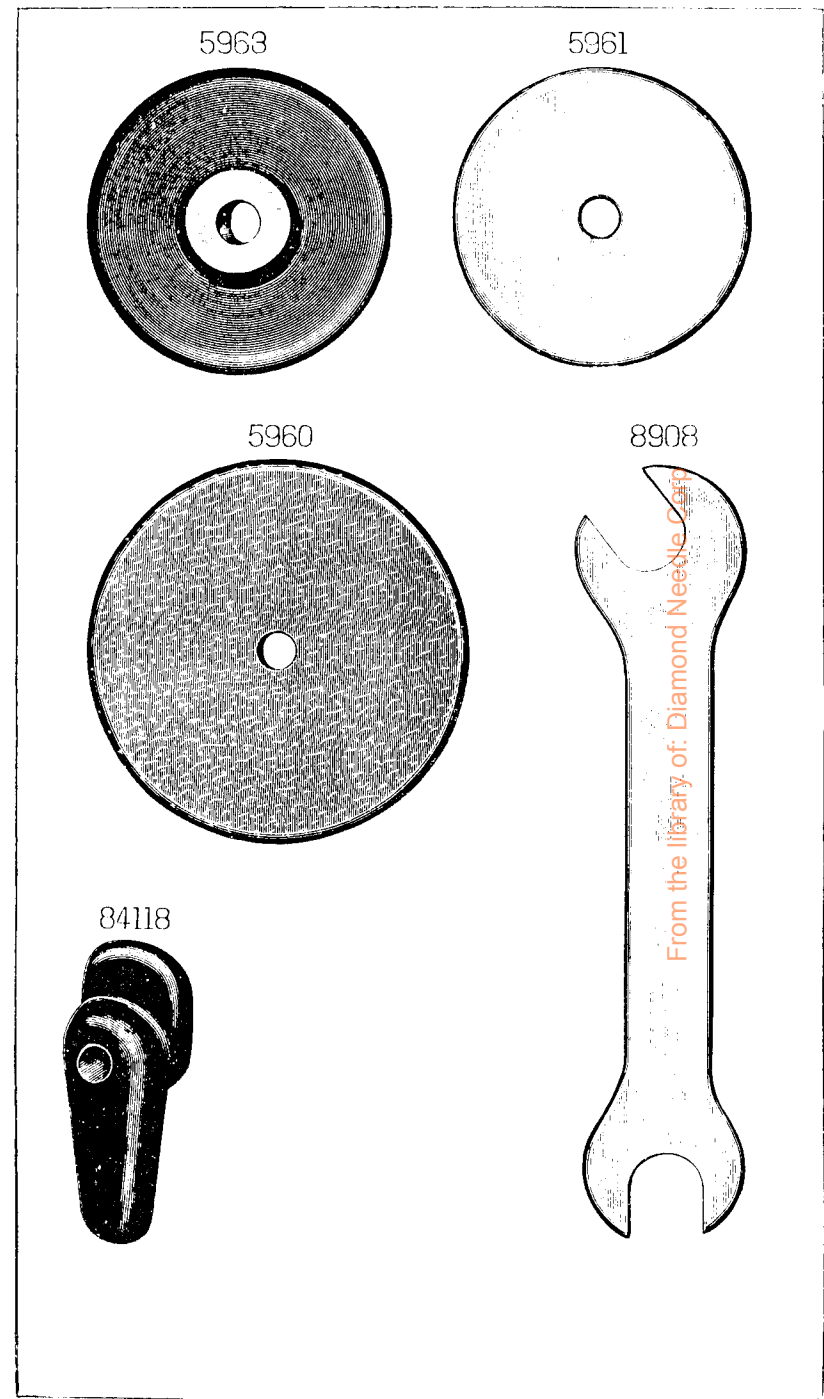
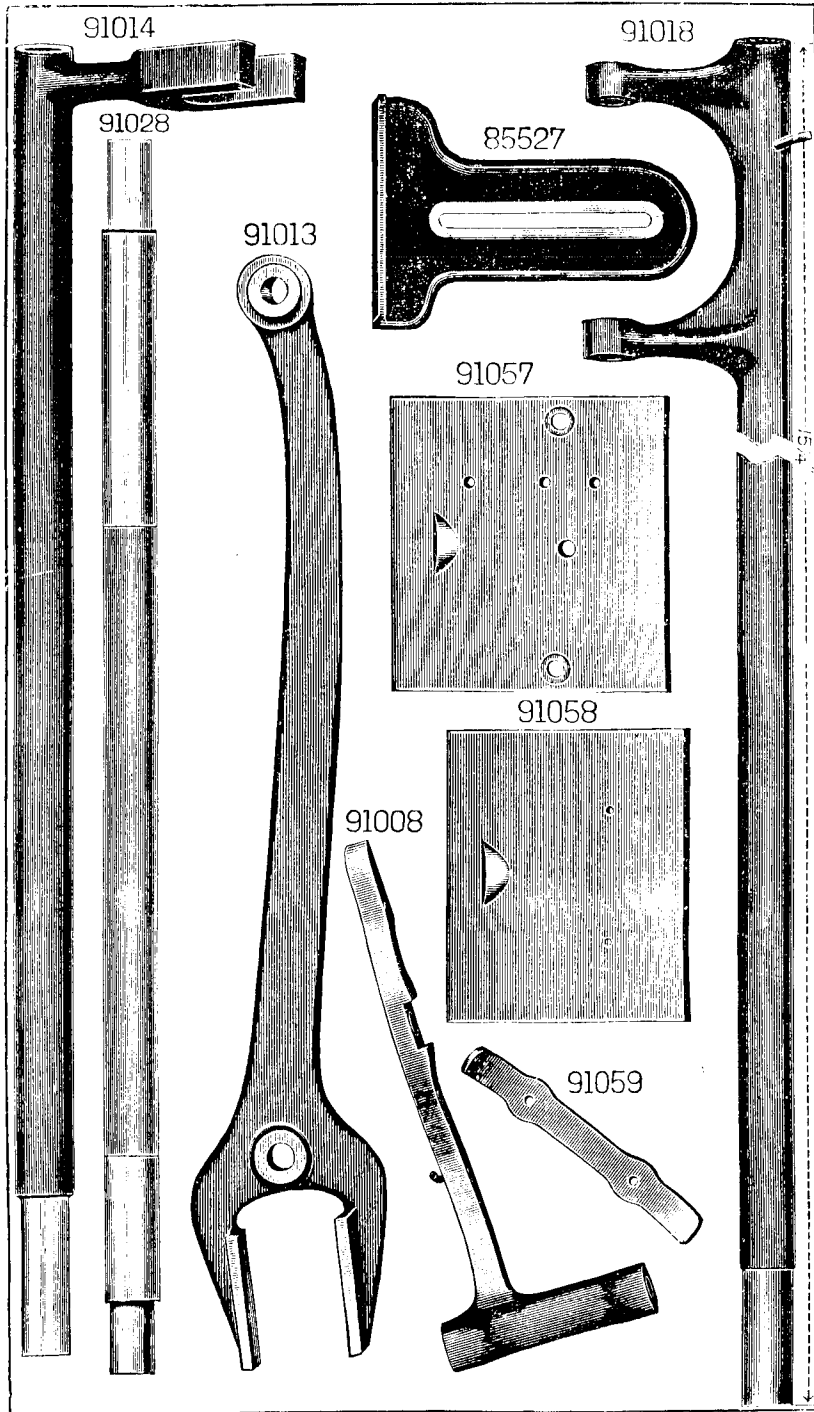


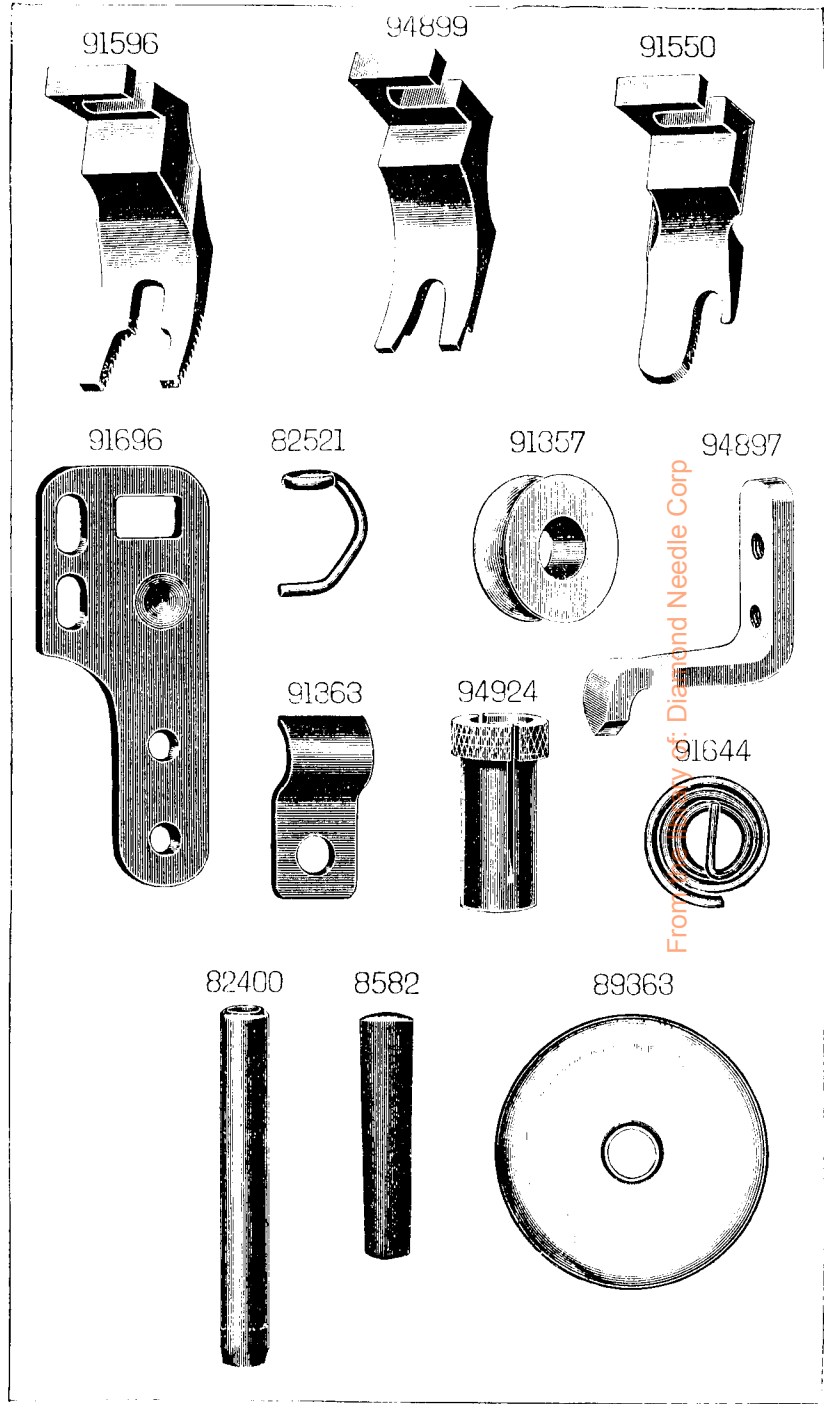
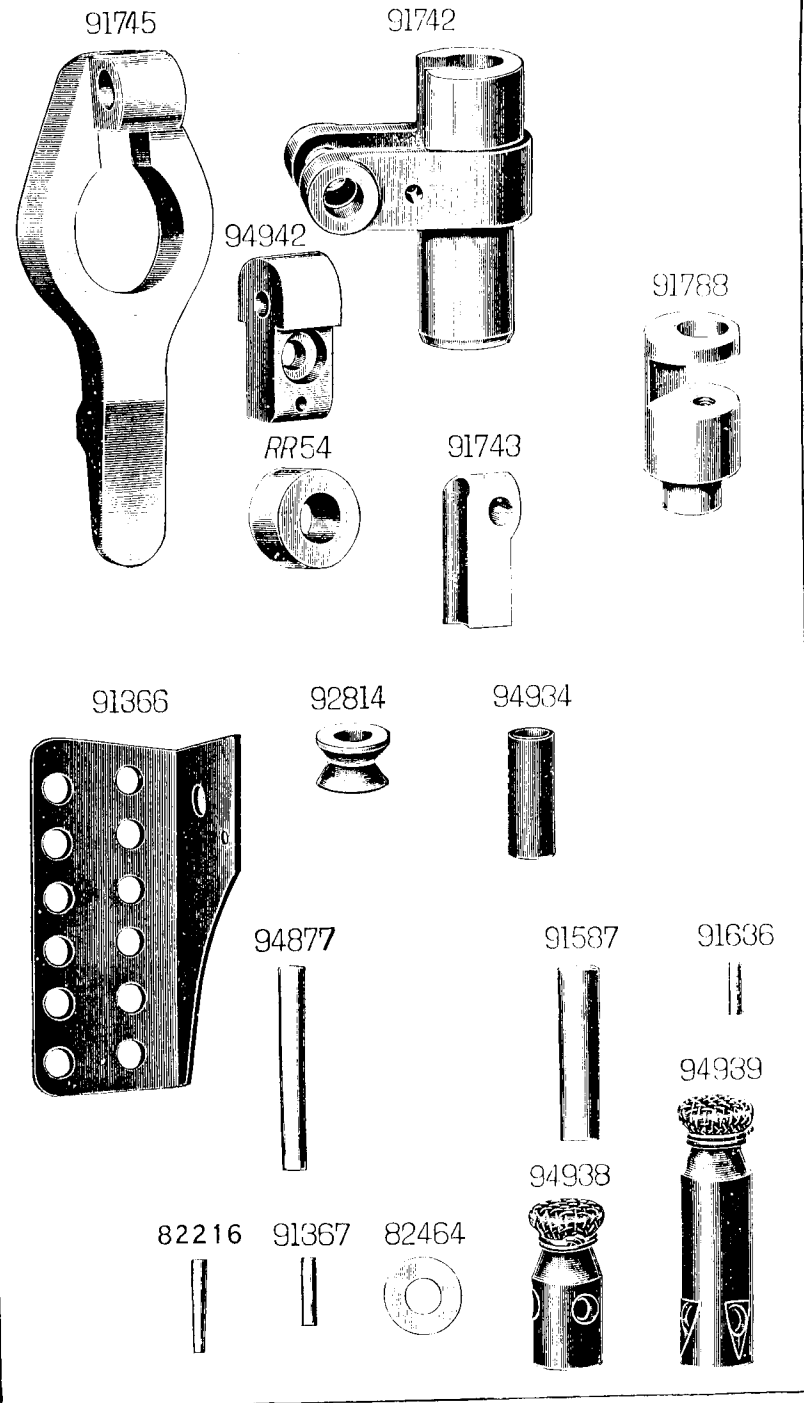


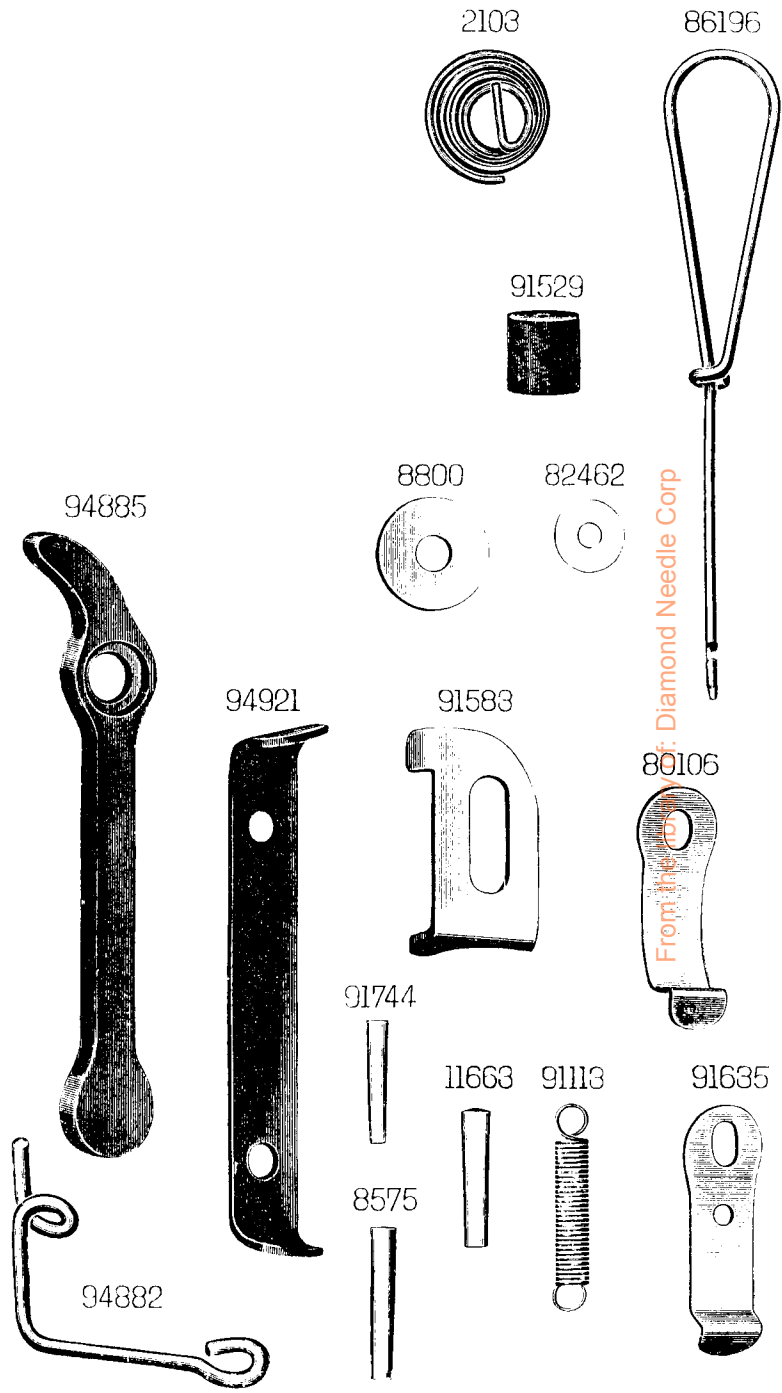
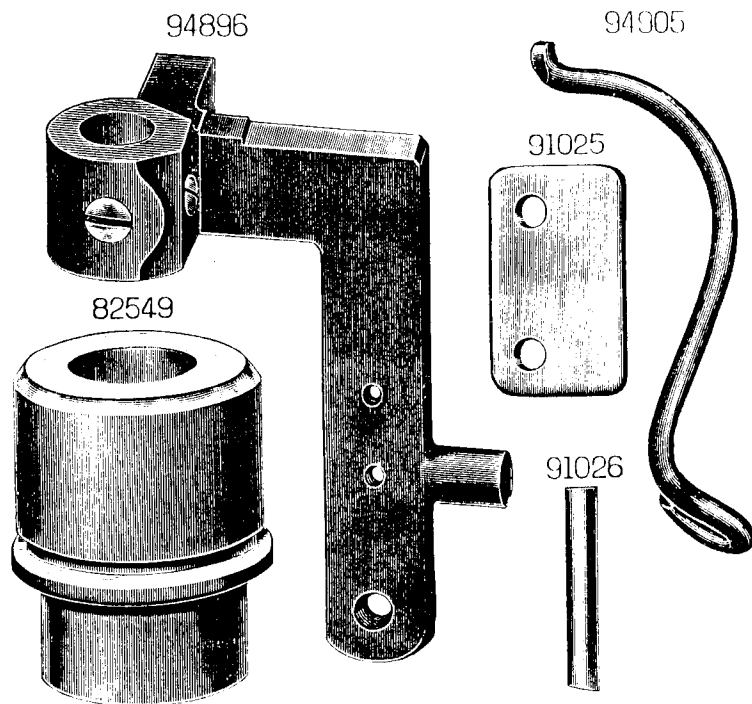
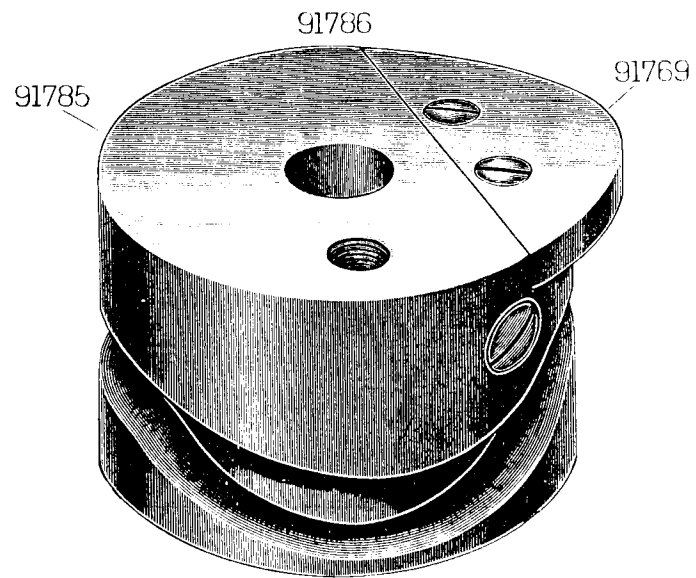




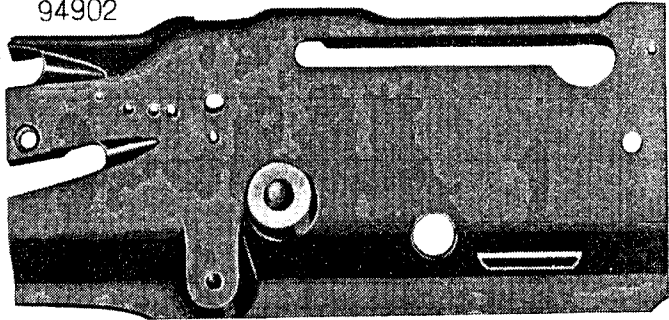




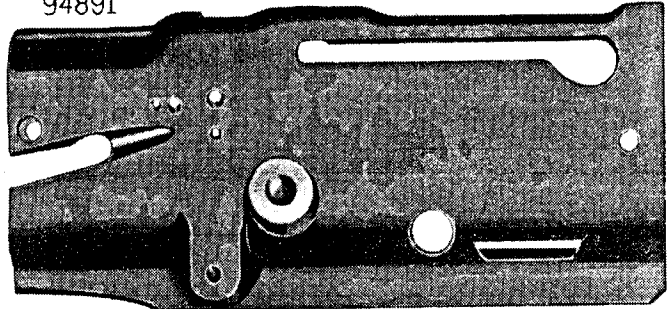




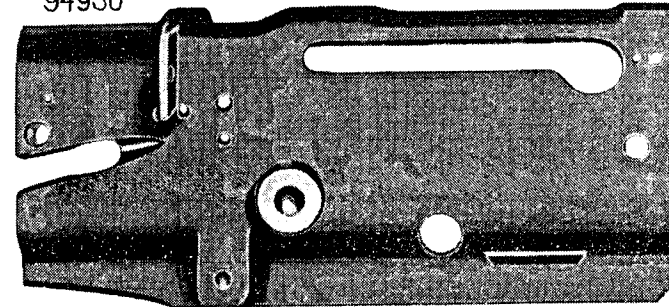
94902



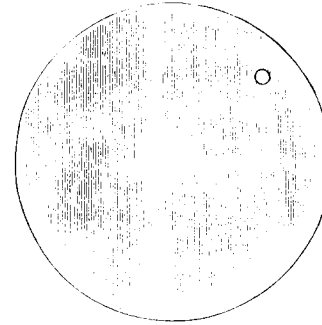
94891



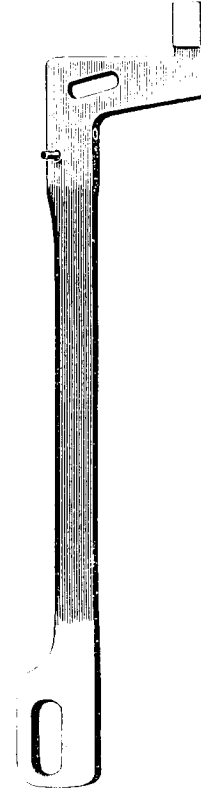
94930



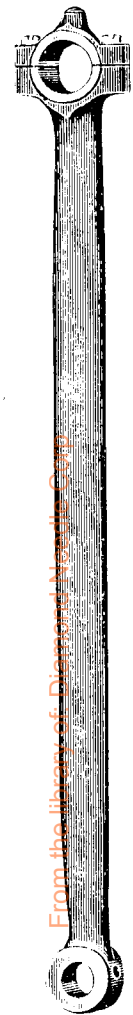
82402



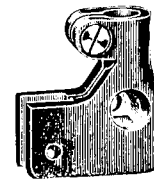
91582



98664



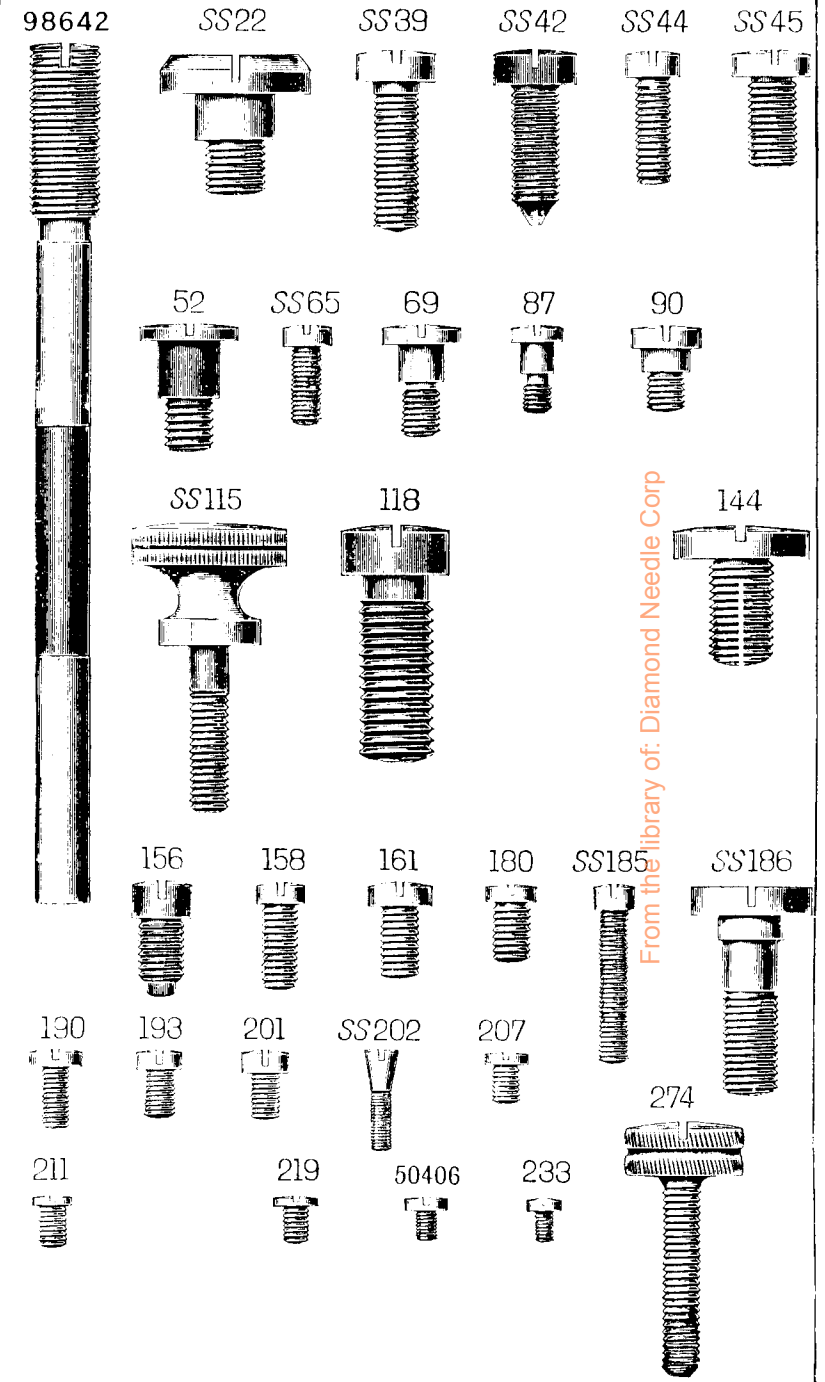
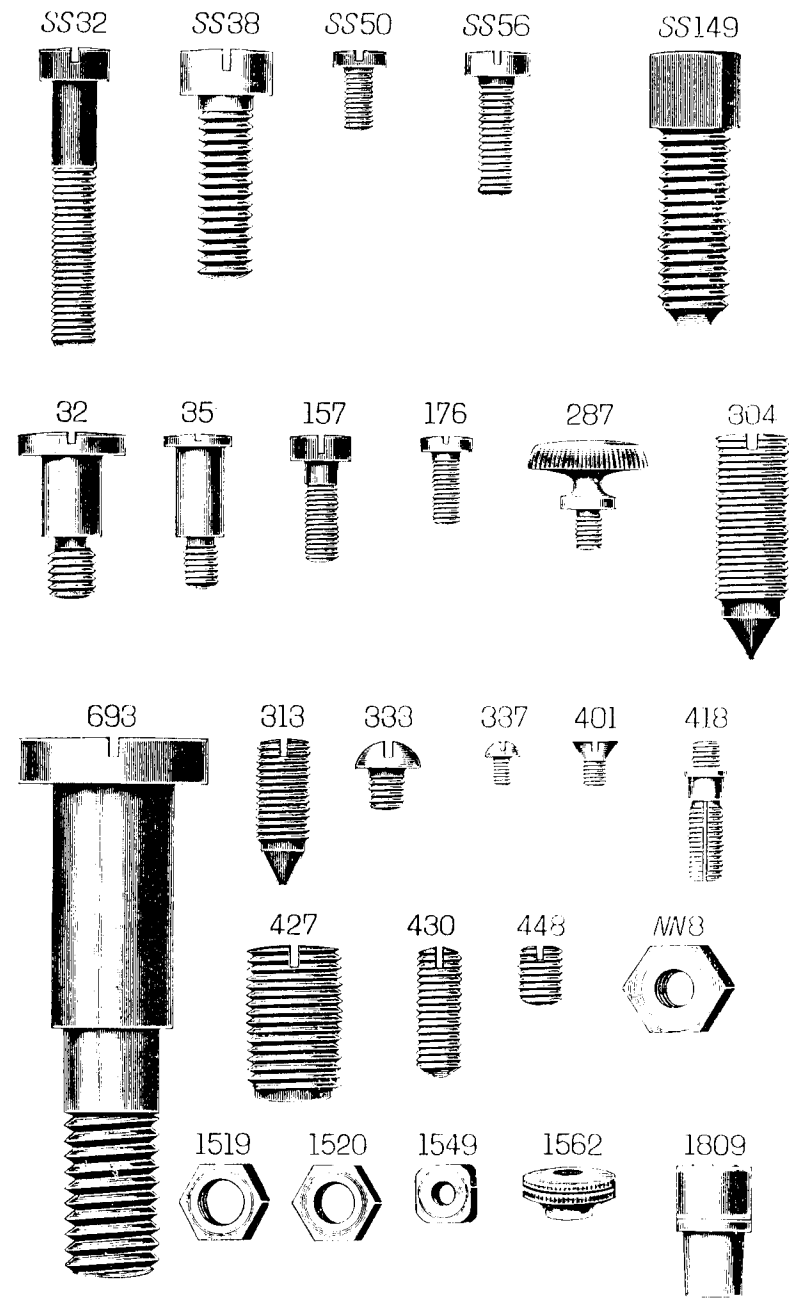
91595



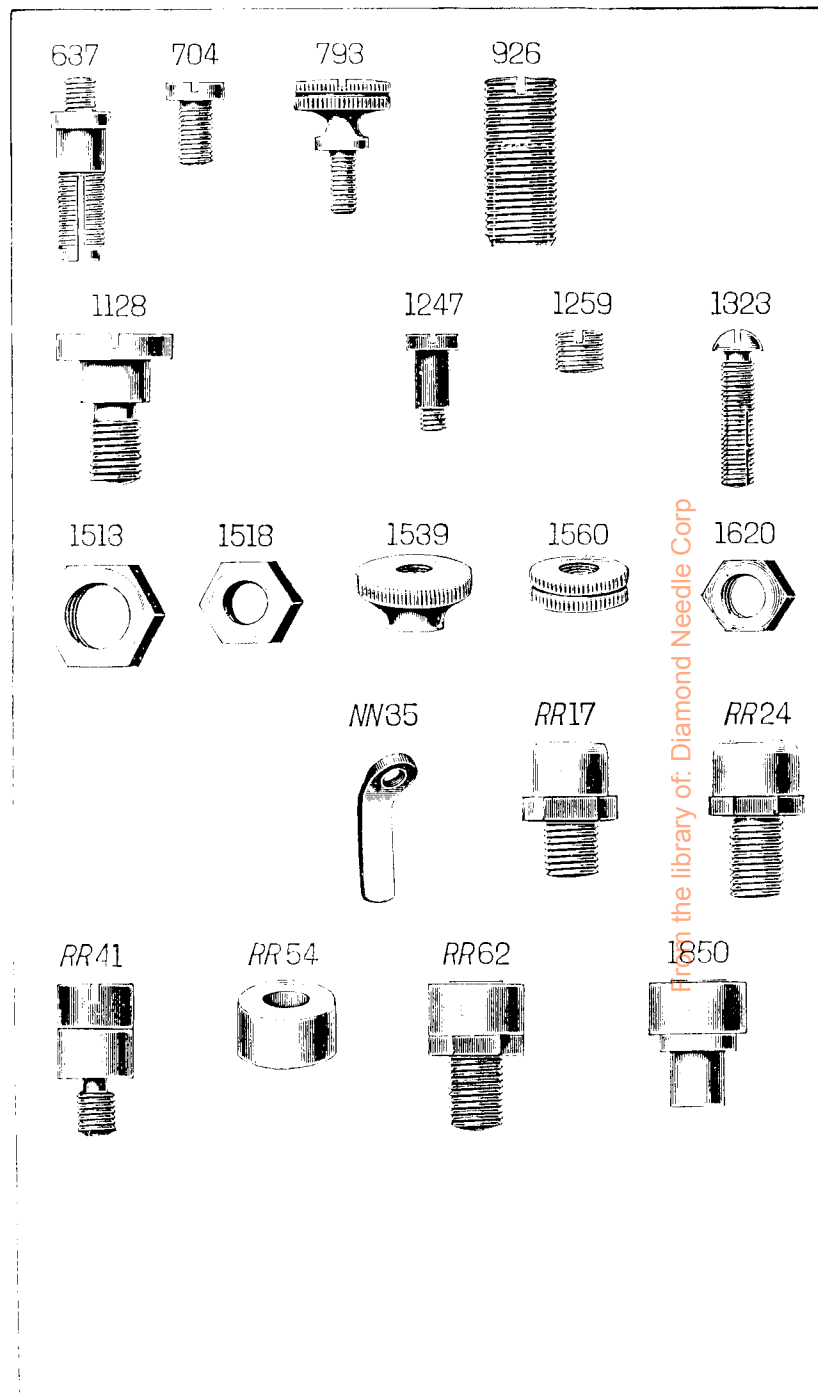
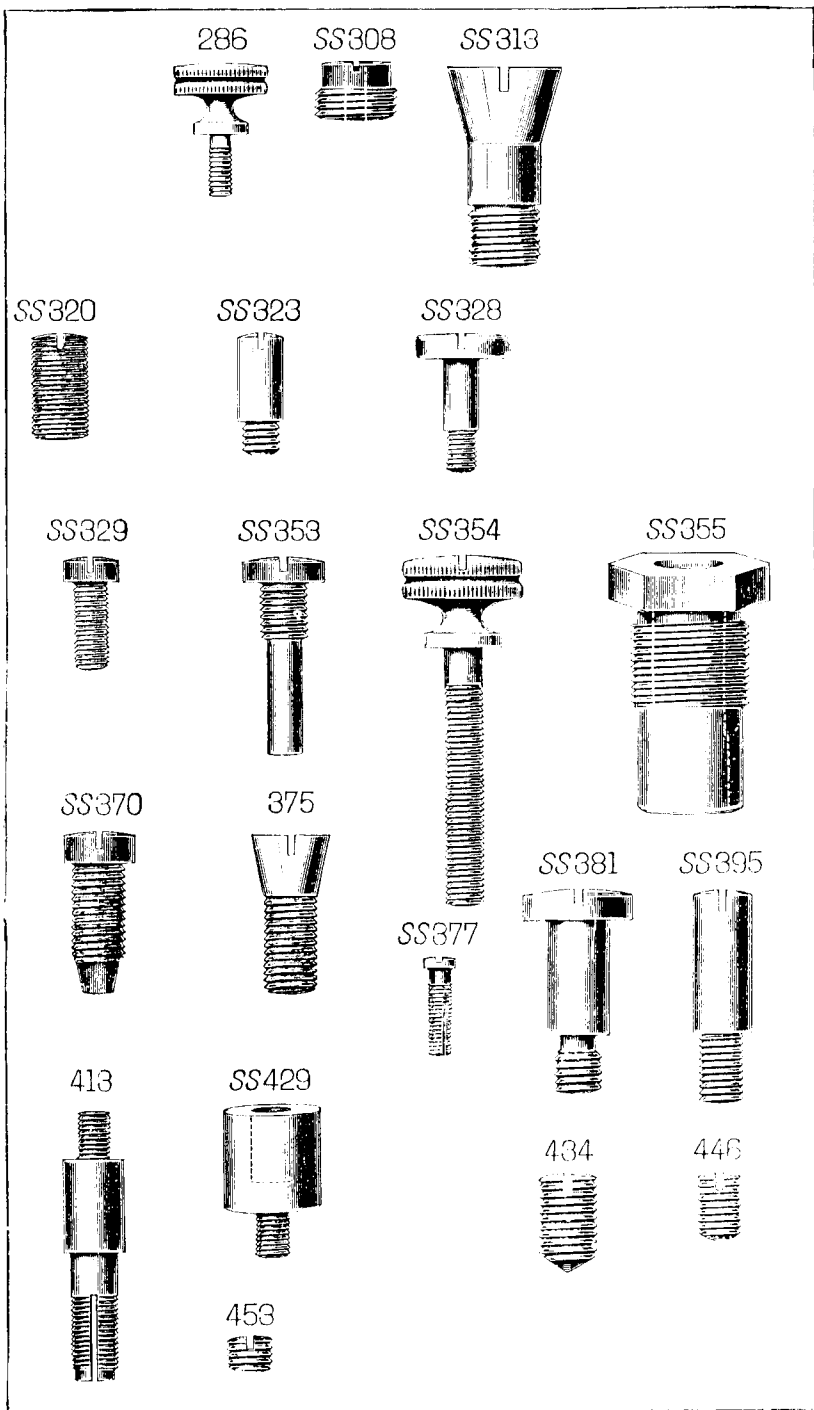
94881



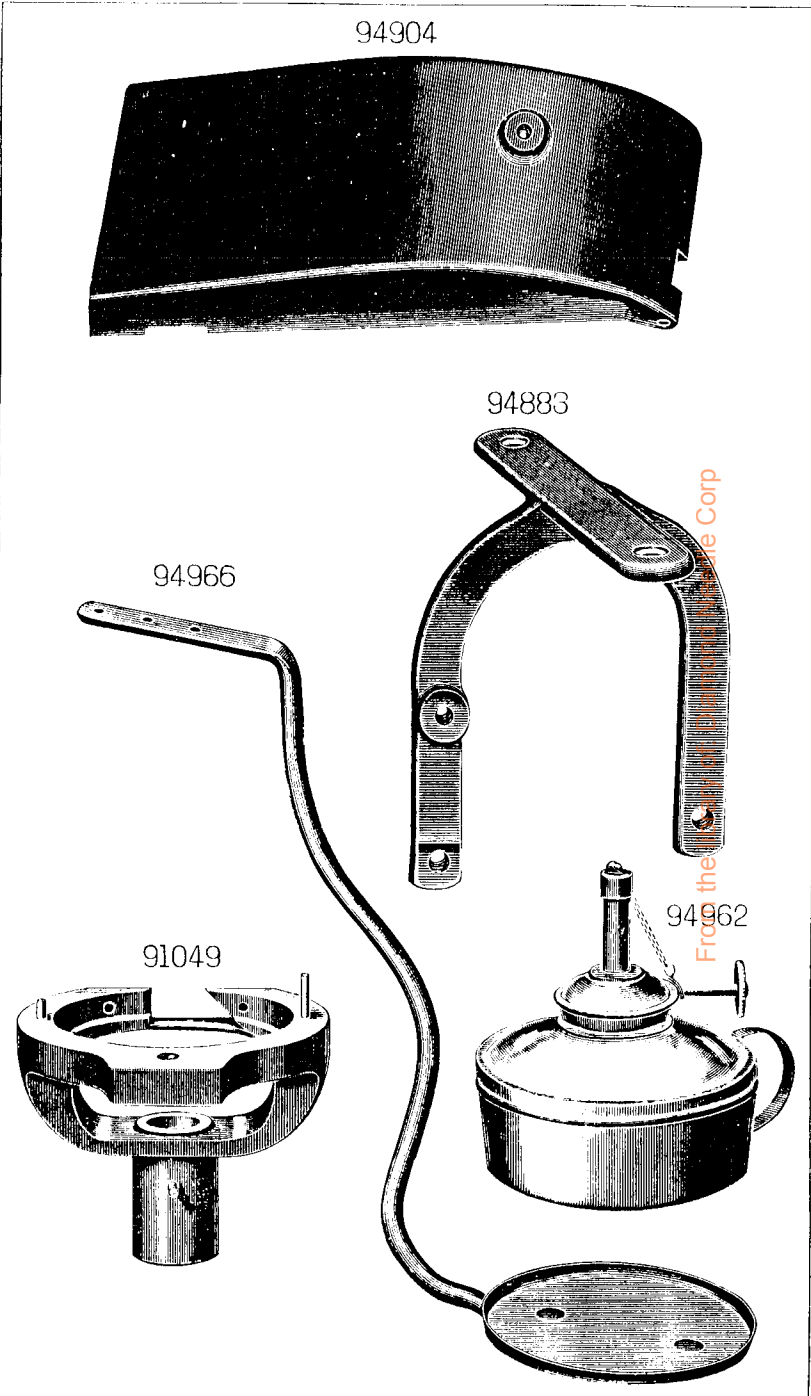
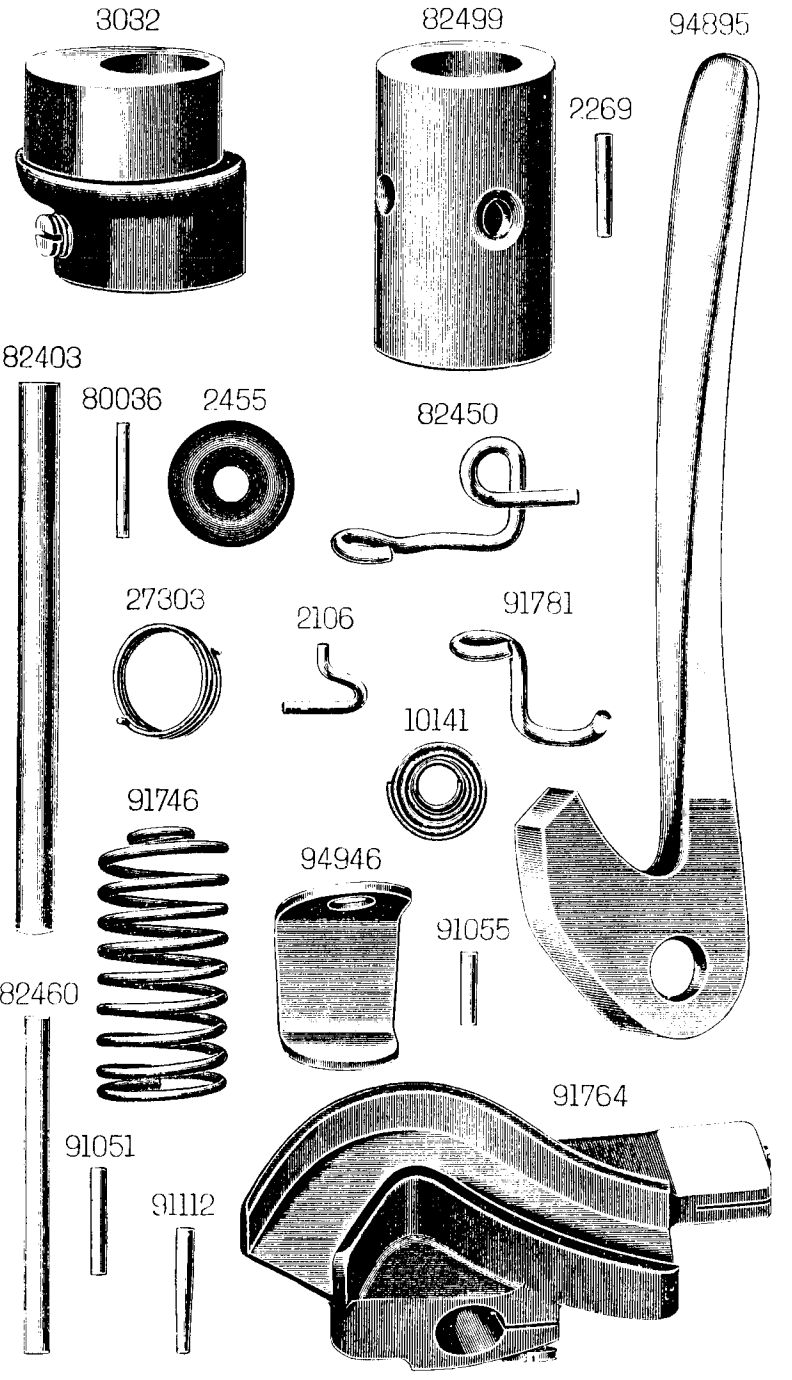
From the library of Diamond Metal Corp.



From the library of: Diamond Needle Corp



From the library of: Diamond Needle Corp



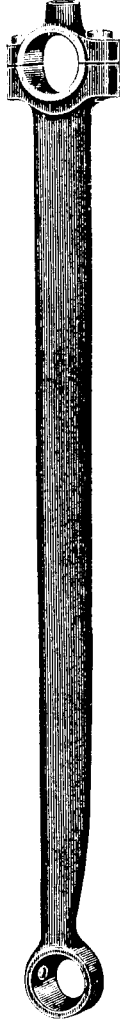
94809



91763



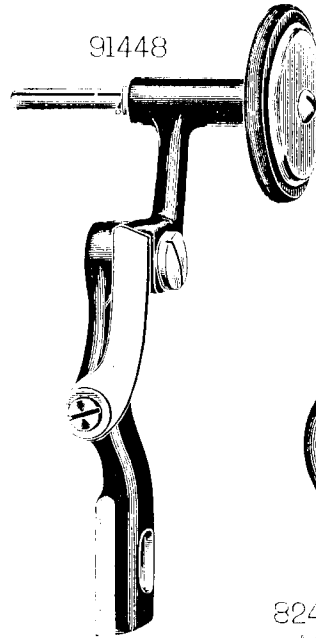
91317



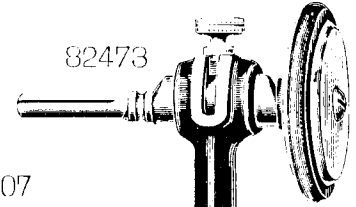
8627



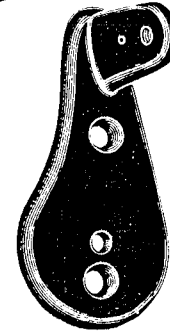
91448



82473



27307



82471



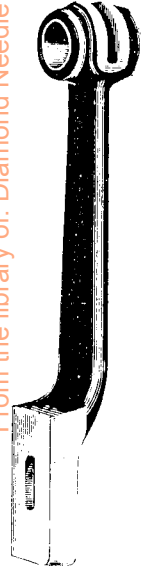
27306



60817



82470

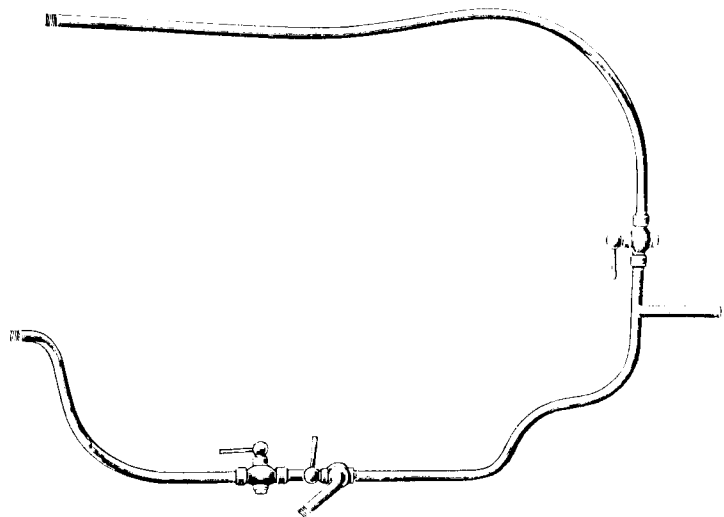


27302



From the library of: Diamond Needle Co.

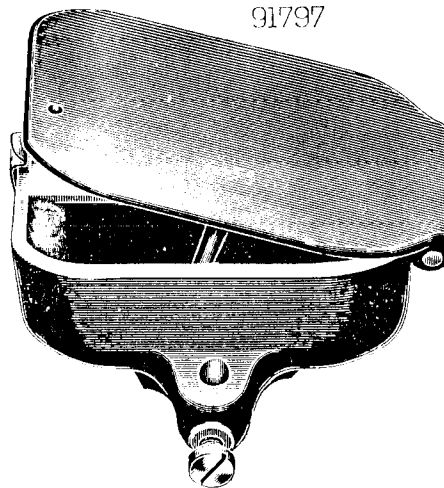
94945



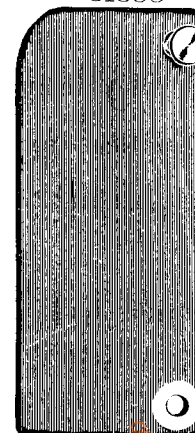
94923



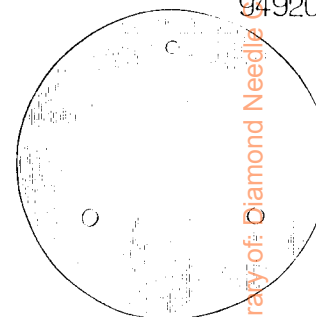
91797



91633

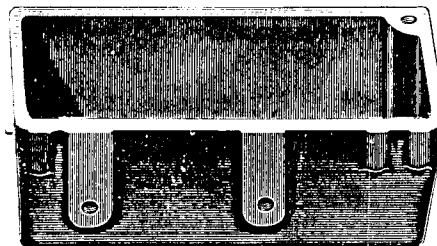


94920

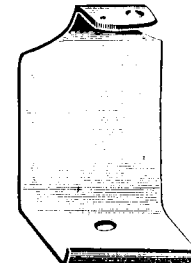


From the library of Diamond Needle Co.

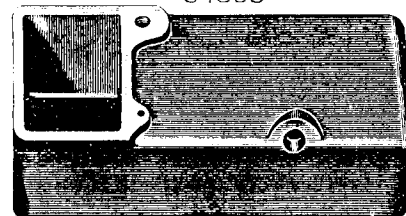
94922



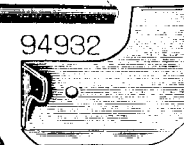
94937



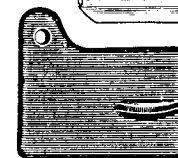
94933



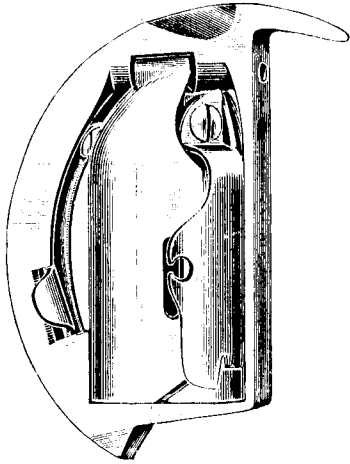
94932



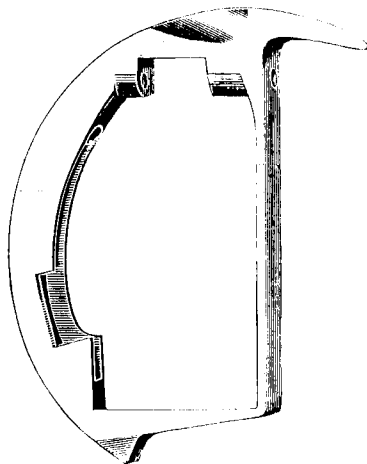
94935



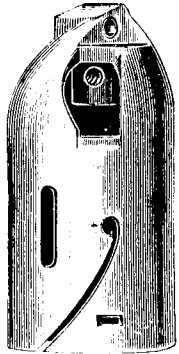
95096



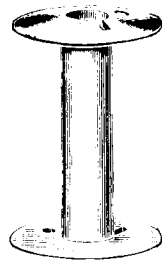
95186



95094



95093



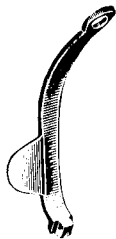
95095



91042



91043



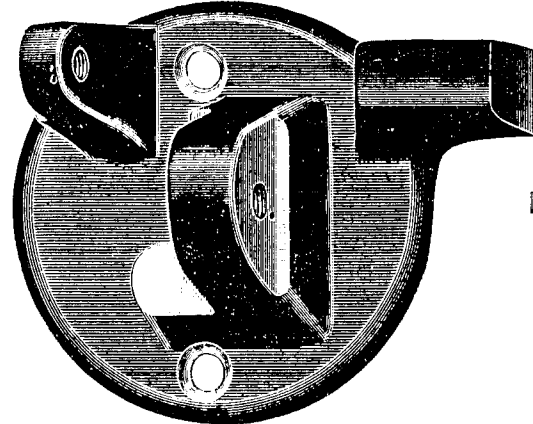
SS377



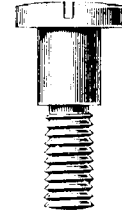
233



27540



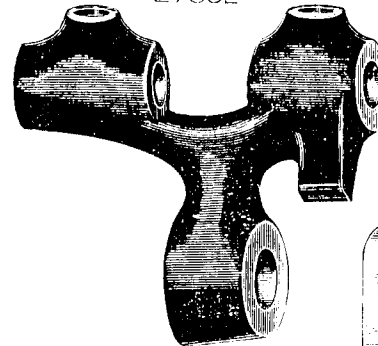
50356



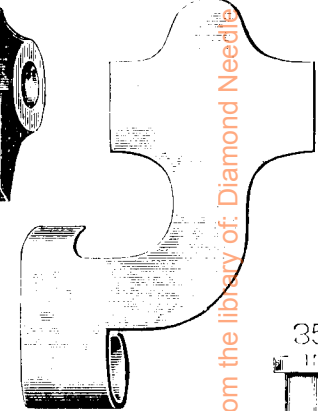
98673



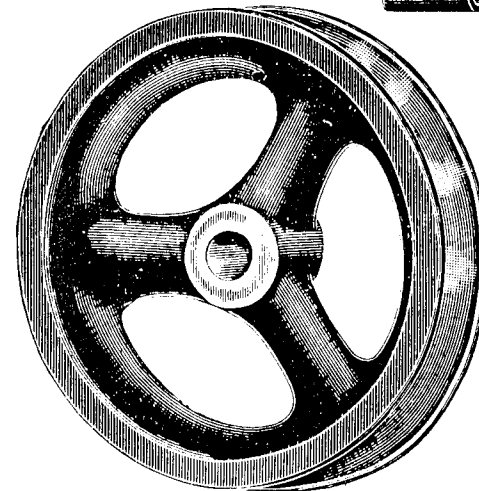
27302



95197



27541



35



1620



27303

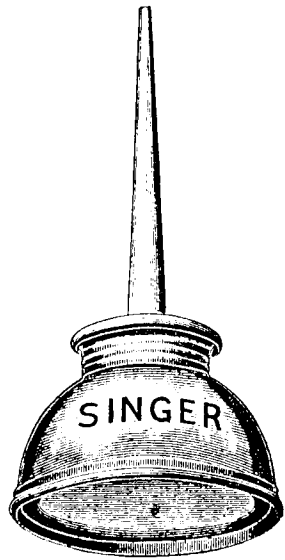


From the library of: Diamond Needle Corp

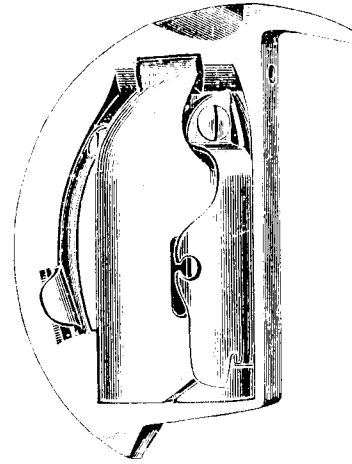
86611



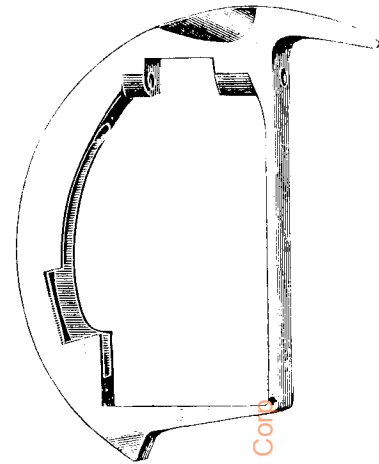
120342



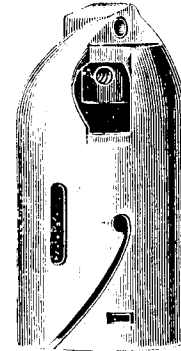
98622



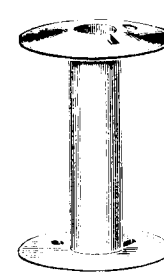
98619



95094



95093

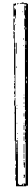


95095



From the library of: Diamond Needle Co.

91042



91043

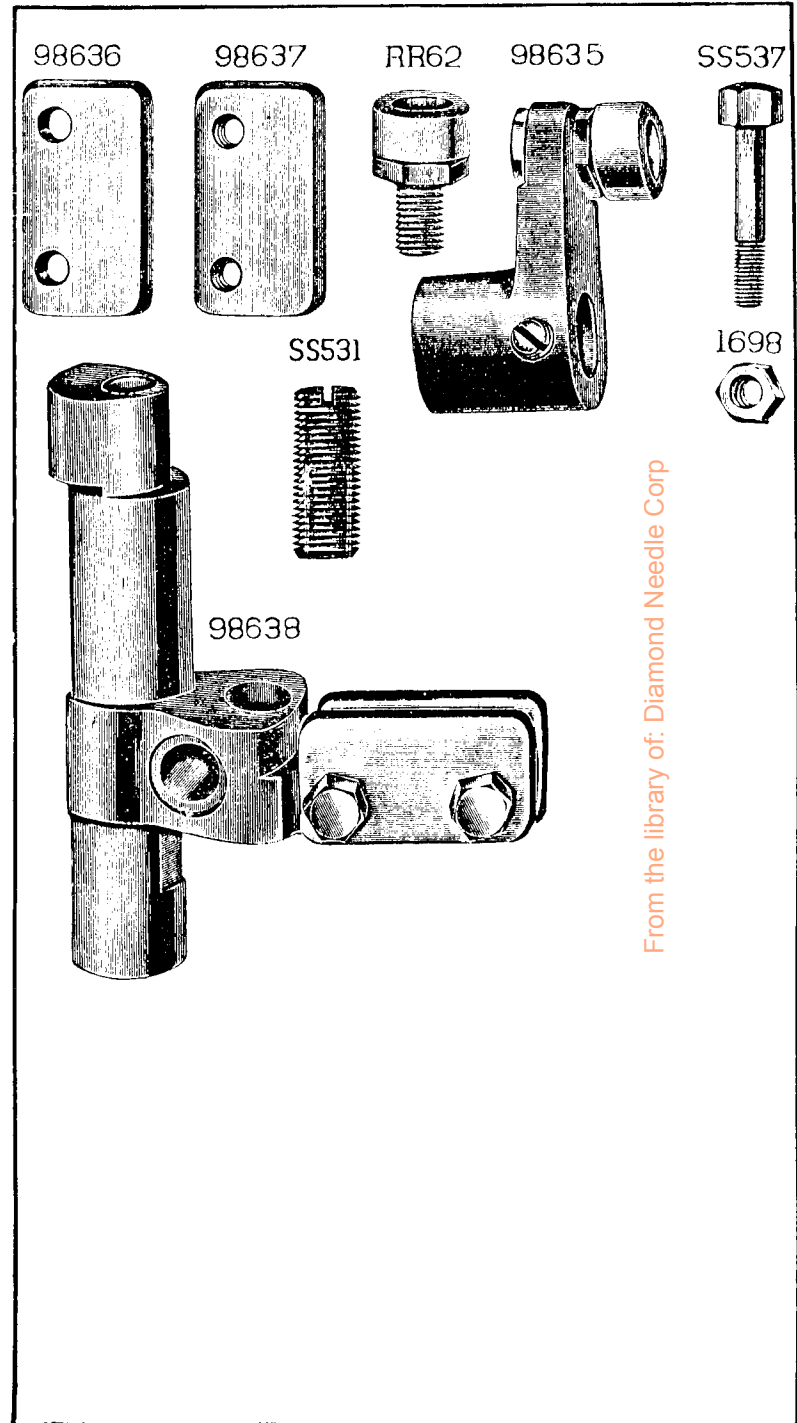
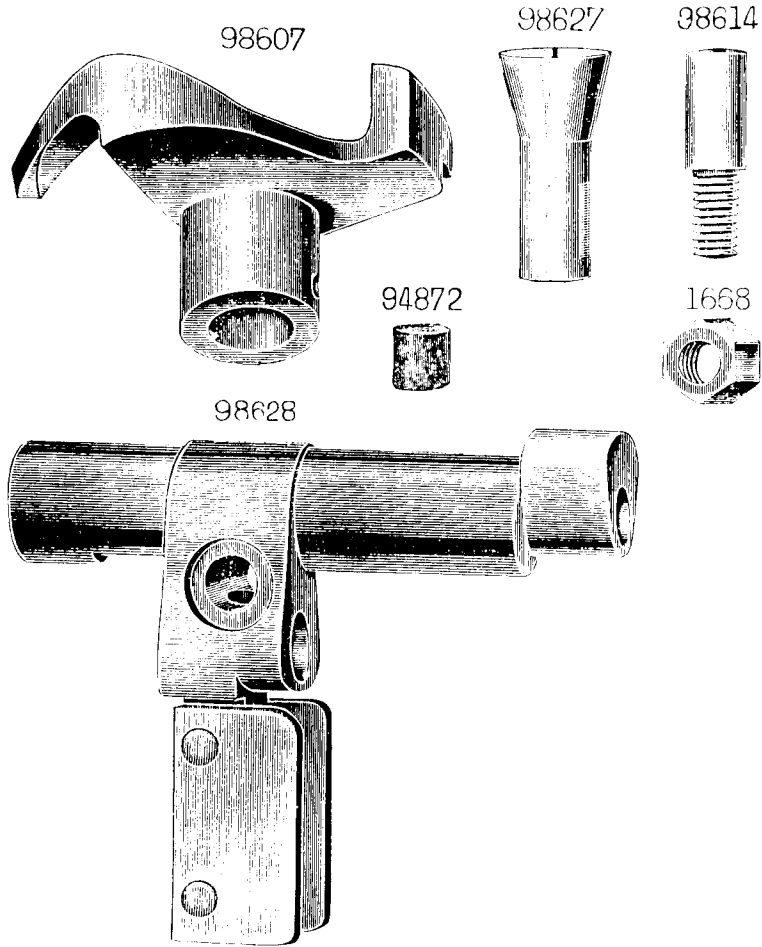


SS377



233





From the library of: Diamond Needle Corp

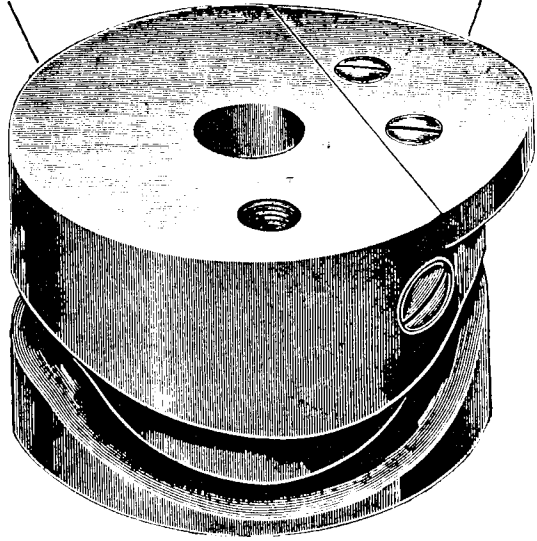
91715



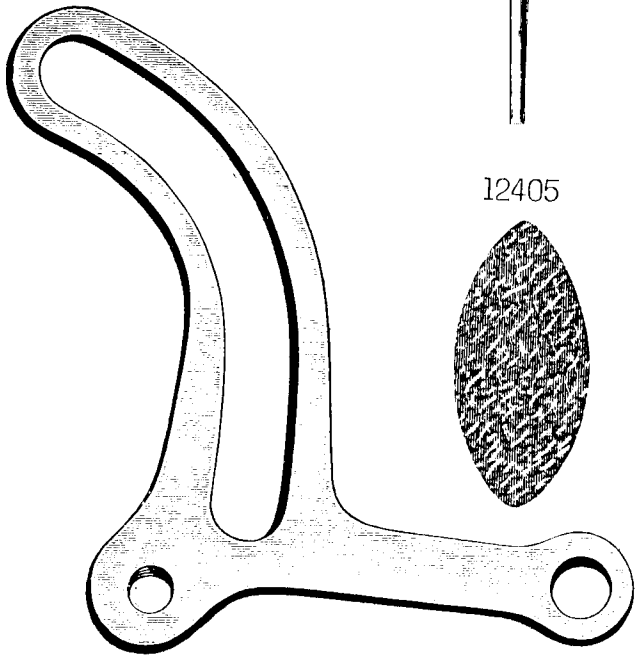
94849

94850

91769



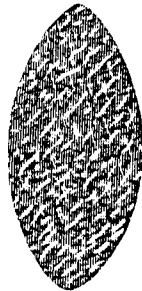
91787



91169



12405



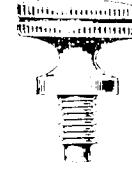
SS25



SS26



SS310



449



SS469



560



SS568



SS574



SS576



597



1075



50053



50190

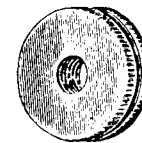


51224



From the library of: [Dialysis Corp](#)

NN21



1536



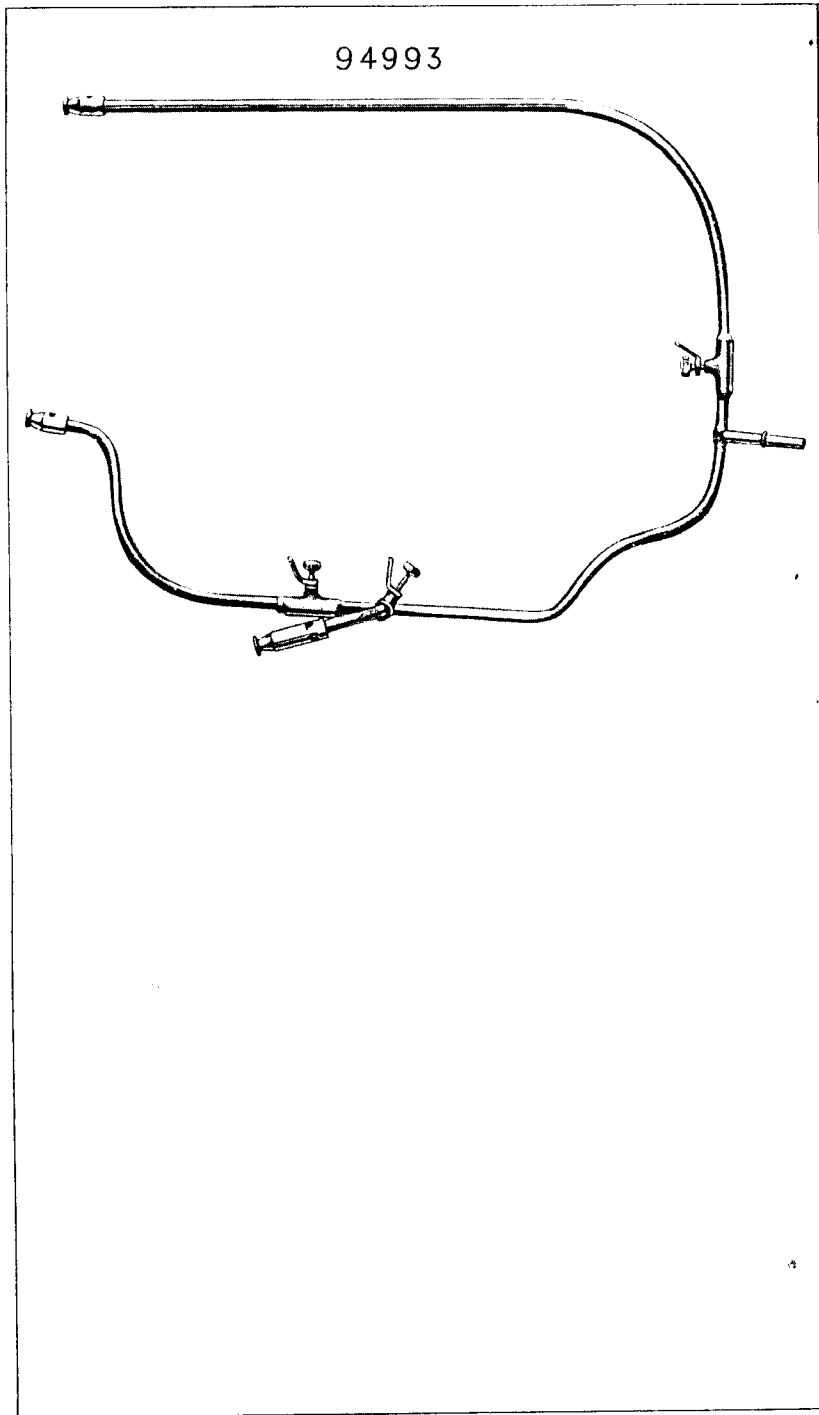
1650



RR66



94993



From the library of: Diamond Needle Corp

INSTRUCTIONS FOR ORDERING

In ordering from this List, the prefix and affix letters with the part number **MUST BE** quoted exactly as they are shown in the first column.

A number always indicates the same part in whatever List it may appear, or for whatever machine.

The affix letters (where shown) indicate the style of finish, as follows:—

- A. Hardened, Polished, Nickel Plated and Buffed.
- A.A. Buffed and Chromium Plated.
- A.B. Hardened, Polished, Buffed and Chromium Plated.
- A.C. Brown Baking Enamel Finish.
- A.D. Grey Baking Enamel Finish.
- A.E. Hardened, Bright Rumbled and Nickel Plated.
- A.F. Hardened, Bright Rumbled and Nickel Plated, Bright Rumbled and Chromium Plated.
- A.J. Polished, Nickel Plated and Chromium Plated.
- A.K. Hardened, Polished, Nickel Plated and Chromium Plated.
- A.L. Heat Treated for Toughness.
- A.L.D. Heat Treated for Toughness and Polished.
- A.L.X. Heat Treated for Toughness and Black Oxide.
- A.M. Beige Synthetic Enamel.
- A.N. Red Synthetic Enamel Finish.
- A.P. Blue Synthetic Enamel Finish.
- A.P.F. Grey Wrinkle Finish.
- A.R. Beige Wrinkle Finish.
- A.S. Black Moulded Phenolic.
- A.T. Beige Moulded Phenolic.
- A.U. Brown Moulded Phenolic.
- A.V. Black Synthetic Enamel.
- A.X. Grey Dipping Enamel.
- B. Polished, Nickel Plated and Buffed.
- C. Hardened only.
- C.R. Hardened and Phosphoric Treated.
- D. Polished only.
- E. Soft, not Polished.
- F. Hardened and Polished.
- F.J. Hardened, Polished and Nickel Plated.
- G. Bright Rumbled and Nickel Plated.
- H. Blued.
- J. Nickel Plated only.
- K. Hardened and Nickel Plated.
- L. Brass Plated.
- M. Oxidized.
- N. Japanned, Dull.
- P. Japanned, Bright.
- P.P. Wrinkle Finish.
- R. Phosphoric Treated.
- S. Cadmium Plated.
- T. Copper Plated.
- T.A. Hardened, Polished, Copper and Nickel Plated and Buffed.
- T.B. Copper and Nickel Plated and Polished.
- T.J. Copper and Nickel Plated only.
- T.K. Hardened, Copper and Nickel Plated.
- T.L. Copper and Brass Plated.
- T.M. Copper Plated and Oxidized.
- U. Zinc Plated.
- V. Silver Plated.
- W. Polished and Nickel Plated.
- X. Black Oxide for Iron and Steel.
- X.C. Hardened and Black Oxide for Iron and Steel.
- Y. Black Nickel Plated only.
- Z. Chromium Plated.
- Z.A. Hardened, Polished, Nickel Plated, Buffed and Chromium Plated.
- Z.B. Polished, Nickel Plated, Buffed and Chromium Plated.
- Z.C. Hardened and Chromium Plated.
- Z.D. Polished and Chromium Plated.
- Z.G. Bright Rumbled, Nickel Plated, Bright Rumbled and Chromium Plated.
- Z.J. Nickel and Chromium Plated.
- Z.T. Copper and Chromium Plated.

Parts marked with an asterisk () are furnished only when the repairs are made at Factory.*

PARTS COMPLETE

FOR

No. 45K80 MACHINE

Flat Bed, Needle Bar Cam, Special High Lift and Compound
Take-up, for Heavy Leather up to $\frac{11}{16}$ " thick.

No.	Plate	Description
91913		Arm with 116c, 82199 and 82549 ...
8582	1117	" Dowel Pin (2)
118c	1123	" Screw (3)
91755	1110	Arm Shaft
82199	1126	" " Bushing (back)
82549	1118	" " " (front)
116c	1124	" " " Set Screw
82100	1117	" " Oil Tube
116	1123	" " Screw
82402	1121	Arm Side Cover
51224d	2715	" " " Thumb Screw
82403	1126	Arm Spool Pin
*91003		Bed
98661	1121	Crank Connecting Rod with 91802, 91872 and two 158c
*91802		" " " Cap
91872	1740	" " " Oil Pad
158c	1123	" " " Screw
98627	1740	" " " Hinge Stud
98614	1740	" " " Collar Pin
1668c	1740	" " " " " Nut
91891	1120	Face Plate
SS45d	1123	" " " Screw (top)
158	1123	" " " " (bottom)

From the library of: Diamond Needle Corp

No.	Plate						
82450	1126	Face Plate	Thread Eyelet
SS50f	1122	"	"	"	"	Screw	...
91781	1126	"	"	"	Guard
201d	1123	"	"	"	"	Screw	...
89363	1117	"	"	"	Retainer Disc
*413e	1124	"	"	"	"	Screw Stud	...
33892	—	"	"	"	"	"	413e with 1560d
1560d	1125	"	"	"	"	"	Regulating Thumb Nut
91644	1117	"	"	"	"	Spring	...
94892	—	"	"	"	"	complete, Nos. 33892, 91644 and two 89363	...
91782	1096	"	"	"	Thread Retaining Spring
1323f	1125	"	"	"	"	Adjusting Screw	...
91783	1096	"	"	"	"	Plate	...
91784	1096	"	"	"	"	Position Pin	...
94893	—	Face Plate , complete, Nos. SS50f, 201d, 1323f, 82450, 91781 to 91784, 94891 and 94892					
91008	873	Feed Bar with 80036
94967	853	"	"	"	Retaining Spring
80036	1126	"	"	"	"	Pin	...
313c	1122	"	"	"	"	Screw Centre (2)	...
1519e	1122	"	"	"	"	Nut (2)	...
3032	1126	Feed Cam with 446c
446c	1124	"	"	"	"	Set Screw	...
52165	1096	Feed Connecting Link
375c	1124	"	"	"	"	Hinge Screw (2)	...
1518e	1125	"	"	"	"	Nut (2)	...
91607	863	Feed Dog
704e	1125	"	"	"	"	Screw	...
91013	873	Feed Forked Connection
375c	1124	"	"	"	"	Hinge Screw	...
1518e	1125	"	"	"	"	Nut	...
91014	873	Feed Lifting Rock Shaft
91334	—	"	"	"	"	91014 with 91335	...
91335	863	"	"	"	"	Crank with 1809 and two 157c	...
157c	1122	"	"	"	"	Clamping Screw	...
1809	1122	"	"	"	"	Roller and Stud	...
SS576e	2715	"	"	"	"	Screw Centre (2)...	...
1513j	1125	"	"	"	"	Nut (2)	...

No.	Plate						
91017	863	Feed Regulator
1128e	1125	"	"	"	Hinge Screw
SS115d	1123	"	"	"	Thumb Screw
91018	873	Feed Rock Shaft with 91169
91336	—	"	"	"	"	91018 with 91337	...
91337	863	"	"	"	"	Crank with two 157c	...
157c	1122	"	"	"	"	Clamping Screw	...
91169	2714	"	"	"	"	Retaining Spring Pin	...
SS576e	2715	"	"	"	"	Screw Centre (2)	...
1513j	1125	"	"	"	"	Nut (2)	...
85527	873	Guide
793d	1125	"	"	"	Thumb Screw
91739	—	Lifting Presser Plunger
8575	1119	"	"	"	"	Position Pin	...
RR54	1116	"	"	"	"	Roller	...
SS323f	1124	"	"	"	"	Screw Stud	...
91740	1096	Lifting Presser Plunger , complete, Nos. RR54, SS323f and 91739					
91749	1110	Machine Pulley (three speeds) with two 434e
434e	1124	"	"	"	"	Set Screw	...
91763	1128	Needle Bar
91764	1126	"	"	"	"	Cam with SS202d and two 704e	...
SS202d	1123	"	"	"	"	Adjusting Screw	...
704e	1125	"	"	"	"	Clamping Screw	...
82419	1096	"	"	"	"	Guide	...
158e	1123	"	"	"	"	Screw (2)	...
RR66	2715	"	"	"	"	Roller and Screw Stud	...
82520	853	Needle Clamp
156f	1123	"	"	"	"	Screw	...
82521	853	"	"	"	"	Thread Eyelet	...
50406d	1123	"	"	"	"	Screw	...
82522	1096	Needle Clamp 82520 with 156f, 50406d and 82521
91796	—	Oil Box
82459	—	"	"	"	"	Cover	...
82460	1126	"	"	"	"	Hinge Pin	...
80106	1119	"	"	"	"	Latch Spring	...
219f	1123	"	"	"	"	Screw	...
82462	1119	"	"	"	"	Washer	...
82463	—	"	"	"	"	Oil Pad (cloth)	...
SS50f	1122	"	"	"	"	Screw	...
82462	1119	"	"	"	"	Washer	...
SS395f	1124	"	"	"	"	Stud Screw	...
SS42f	1123	"	"	"	"	Set Screw	...

No.	Plate	
91797	1131	Oil Box , complete, Nos. SS42f, SS50f, 219f, 80106, 82159, 82460, 82463, 91796 and two 82462
98638	2000	Oscillating Rock Shaft with 98636, 98637, two each SS537e and 1698e
98642	1123	" " " Hinge Pin
1513j	1125	" " " " " Nut
SS531e	2000	" " " " " Screw Bearing
1513j	1125	" " " " " Nut
98636	2000	" " " Steel Plate (bottom)
98637	2000	" " " " " (top)
SS537e	2000	" " " " " Binding Screw
1698e	2000	" " " " " Lock Nut
98640	-	Oscillating Rock Shaft , complete, Nos. 1668e, 98611, 98627 and 98638
91028	873	Oscillating Shuttle Shaft
91029	853	" " " Bushing
SS39e	1123	" " " " " Set Screw
91030	863	" " " Collar with 453e
453e	1124	" " " " " Set Screw
98635	2000	" " " Crank with RR62, 453e and 4518e
11663	853	" " " " " Pin
RR62	2000	" " " " " Roller and Screw Stud
4518e	1125	" " " " " Nut
453e	1124	" " " " " Set Screw
91809	1128	Presser Bar (round)
91582	1121	" " (flat) with 91169
SS185f	1123	" " (") Adjusting Screw
NN35d	1125	" " (") " " Lock Nut
52f	1123	" " (") Hinge Screw
91583	1119	" " (") Locking Plate
SS353d	1124	" " (") " " Screw
91595	1121	" " (") Lower Guide Bracket with 157f and 91169
157f	1122	" " (") " " Clamping Screw
91169	2714	" " (") " " Retaining Spring Pin
RR41	1125	" " (") " " Roller and Screw Stud
91113	1119	" " (") Retaining Spring
91169	2714	" " (") " " Pin
91742	1116	Presser Bar Gripping Bracket
91743	1116	" " " " " Block
91744	1119	" " " " " Retaining Pin
91745	1116	" " " " " Grip Lever
430al	1122	" " " " " Adjusting Screw
1520r	1122	" " " " " Nut

No.	Plate	
91587	1116	Presser Bar Gripping Bracket Grip Lever Hinge Pin
91746	1126	" " " " " Retaining Spring
1650	2715	" " " " " Lock Nut
NN21d	2715	" " " " " Thumb Lock Nut
91747	-	Presser Bar Gripping Bracket , complete, Nos. 130d, 1520r, 91587 and 91742 to 91745
94895	1126	Presser Bar Lifter
SS186d	1123	" " " " " Hinge Screw
1518e	1125	" " " " " Nut
94896	1118	" " " Lifting Bracket with two 1259
91696	1117	" " " " " Plate
190f	1123	" " " " " Binding Screw
1259e	1125	" " " " " Set Screw
94897	1117	" " " " " Tension Release
190f	1123	" " " " " Binding Screw
94898	-	Presser Bar Lifting Bracket 94896, with 91696, 94897 and four 190f
91769	2714	Presser Bar Lifting Cam
794c	1125	" " " " " Screw
SS355e	1124	" " " " " Screw Bushing
82430	1096	" " " " " Spring (spiral)
91715	2714	" " " " (flat) for Machine fitted with Foot Lifter
8627	1128	" " " " (") " " without Foot Lifter
1539d	1125	" " " " (") Thumb Lock Nut
274d	1123	" " " " (") " " Screw
91559	1117	Presser Foot (plain) with single toe serrated
91596	1117	" " (") " " Two toes serrated
91899	1117	" " " " " with two plain toes
50190d	2715	" " " " " Thumb Screw
NOTE: No. 91899 is sent with this machine unless another Presser Foot is specified on order.		
95093	1167	Shuttle Bobbin
95094	1167	" " Cylinder
91042	1167	" " Hinge Pin
91043	1167	" " Latch Spring
SS574d	2715	" " " " " Screw
98619	1694	" " Frame
95095	1167	" " Tension Spring
SS377f	1167	" " " " " Adjusting Screw

No.	Plate	
98622	1694	Shuttle (cylinder), 2½" diam., complete, Nos. SS377f, SS571d, 91042, 91043, 95093 to 95095 and 98619
98607	1740	Shuttle Driver ...
11633	853	" " Pin
<i>NOTE. Shuttle Driver No. 98607 must be used in conjunction with Shuttle No. 98622 and vice versa. These new parts are not interchangeable with the old.</i>		
91048	303	Shuttle Guard ...
SS568d	2715	" " Thumb Screw
1549e	1122	" " " " Lock Nut
91049	1127	Shuttle Race with 91051, 91052 and 91055
94973	"	" " 91049 with 91054 and two 4011
SS32f	1122	" " Bearing Clamping Screw
NANe	1122	" " " " " Nut
91050	853	" " Cap
91051	1126	" " " Pin (short)
91052	303	" " " " (long)
91053	853	" " " Spring
41d	303	" " " " Screw
91054	303	" " Loop Spreader
4011	1122	" " " " Screw
91055	1126	" " Position Pin
91056	303	Shuttle Race (adjustable), complete, Nos. 41d, SS568d, 1549e, 91048, 91050, 91053 and 94973
91057	873	Shuttle Race Slide (back)
180d	1123	" " " (") Screw (2)
91058	873	" " " (front)
91059	873	" " " (") Spring
337d	1122	" " " (") " Screw
91060	"	Shuttle Race Slide (front) 91058 with 91059 and two 337d
94849	2714	Thread Take-up Cam with SS320c and SS370c
SS320c	1124	" " " Set Screw
SS370c	1124	" " " Timing Screw
94850	2714	Thread Take-up Cam 94849 with 91769 and two 704c
91505		Thread Take-up Lever
SS22f	1123	" " " Hinge Screw
92814	1116	" " " Roller
RR24	1125	" " " " and Stud
1519e	1122	" " " " " Nut
SS328c	1124	" " " " Screw
91507	1096	Thread Take-up Lever , complete, Nos. RR24, SS328c, 1519e, 91505 and 92814

No.	Plate	
91787	2714	Thread Take-up Lever (Auxiliary)
SS381d	1124	" " " " Hinge Screw
1620e	1125	" " " " " Nut
RR17	1125	" " " " " Roller and Screw Stud
91788	1116	" " " " " Thread Eyelet
92814	1116	" " " " " Roller
1247f	1125	" " " " " " " " " Screw
91789		Thread Take-up Lever (Auxiliary), complete, Nos. 1247f, 91787, 91788 and 92814
91609	863	Throat Plate (fine needle hole)
91610	863	" " (coarse needle hole)
180f	1123	" " Screw (2)
<i>NOTE. No. 91610 is sent with this machine unless other Throat Plate is specified on order.</i>		
S2550		Drip Pan

PARTS COMPLETE

FOR

No. 45K82 MACHINE (Obsolete)

Flat Bed, Needle Bar Cam, Special High Lift and Compound Take-up, for Heavy Leather up to $\frac{11}{16}$ " thick. Fitted with GAS Heating Device for Hot Wax Stitching.

No.	Date	
*94944		Arm with 146, 82499 and 82549
8582	1117	" Dowel Pin (2)
118c	1123	" Screw (3)
91755	1110	Arm Shaft
82499	1126	" " Bushing (back)
82549	1118	" " " (front)
146c	1124	" " " Set Screw
82400	1117	" " Oil Tube
144c	1123	" " Screw
82402	1121	Arm Side Cover
51224d	2715	" " " Thumb Screw
82403	1126	Arm Spool Pin
*91003		Bed
98664	1121	Crank Connecting Rod with 94802, 94872 and two 158c
*94802		" " " Cap
94872	1740	" " " " Oil Pad
158c	1123	" " " " Screw
98627	1740	" " " " Hinge Stud
98614	1740	" " " " Cotlar Pin
1668c	1740	" " " " " Nut
94902	1120	Face Plate
SS45d	1123	" " Screw (top)
158c	1123	" " " (bottom)

No. 45K82 MACHINE PARTS (Obsolete)

No.	Date	
82450	1126	Face Plate Thread Eyelet
SS50f	1122	" " " " Screw
91781	1126	" " " " Guard
201d	1123	" " " " " Screw
91357	1117	" " " " Guide Wheel
52c	1123	" " " " " Hinge Screw
SS429c	1121	" " " " " Reception Screw Stud
91782	1096	" " " " Retaining Spring
1323f	1125	" " " " " Adjusting Screw
91783	1096	" " " " " Plate
91784	1096	" " " " " Position Pin
91366	1116	" " " " " Tension Protecting Bracket with 91367
207d	1123	" " " " " Screw
91367	1116	" " " " " Steady Pin
94903		Face Plate, complete, Nos. SS50f, 52c, 201d, 207d, SS429c, 1323f, 82450, 91357, 91366, 91781 to 91783 and 94902
94904	1127	Face Plate Swing Cover
94942	1116	" " " " " Hinge Block (steel)
94877	1116	" " " " " " Pin
SS65d	1123	" " " " " " Screw
82216	1116	" " " " " " Steady Pin
94905	1118	" " " " " Retaining Spring
161c	1123	" " " " " " Screw
SS00	1119	" " " " " " Washer
94906		Face Plate Swing Cover, complete, Nos. SS65d, 161c, SS00, 82216, 94877, 94904, 94905 and 94942
91908	873	Feed Bar with 80036
94967	853	" " Retaining Spring
80036	1126	" " " " " Pin
313c	1122	" " " " " Screw Centre (2)
1519c	1122	" " " " " Nut (2)
3032	1126	Feed Cam with 146
146c	1124	" " " " " Set Screw
52165	1096	Feed Connecting Link
375c	1124	" " " " " Hinge Screw (2)
1518c	1125	" " " " " " Nut (2)

No.	Plate	
SS531e	2000	Oscillating Rock Shaft Hinge Pin Screw Bearing ...
1513j	1125	" " " " " " " " Nut
98636	2000	" " " " " " " " Steel Plate (bottom)
98637	2000	" " " " " " " " " " (top)
SS537e	2000	" " " " " " " " Binding Screw
1698e	2000	" " " " " " " " " " Lock Nut
98640		Oscillating Rock Shaft, complete, Nos. 1668e, 98611, 98627 and 98638
91028	873	Oscillating Shuttle Shaft ...
91029	853	" " " " " " " " Bushing
SS39e	1123	" " " " " " " " " " Set Screw
91030	863	" " " " " " " " Collar with 153e
153e	1124	" " " " " " " " " " Set Screw
98635	2000	" " " " " " " " " " Crank with RR62, 153e and 1518e
11663	853	" " " " " " " " " " Pin
RR62	1125	" " " " " " " " " " Roller and Screw Stud
1518e	1125	" " " " " " " " " " " " Nut
153e	1124	" " " " " " " " " " " " Set Screw
94809	1128	Presser Bar (round) ...
94582	1121	" " " " (flat) with 91169
SS185f	1123	" " " " " " " " " " Adjusting Screw
XX35d	1125	" " " " " " " " " " Lock Nut
52f	1123	" " " " " " " " " " Hinge Screw
94583	1119	" " " " " " " " " " Locking Plate
SS353d	1124	" " " " " " " " " " " " Screw
94595	1121	" " " " " " " " " " Lower Guide Bracket with 157f and 91169
157f	1122	" " " " " " " " " " " " Clamping Screw
91169	2714	" " " " " " " " " " " " Retaining Spring Pin
RR41	1125	" " " " " " " " " " " " Roller and Screw Stud
91113	1119	" " " " " " " " " " " " Retaining Spring
91169	2714	" " " " " " " " " " " " Pin
91742	1116	Presser Bar Gripping Bracket ...
91743	1116	" " " " " " " " " " " " Block
91744	1119	" " " " " " " " " " " " Retaining Pin
91745	1116	" " " " " " " " " " " " Grip Lever
430al	1122	" " " " " " " " " " " " Adjusting Screw
1520r	1122	" " " " " " " " " " " " " " Nut
91587	1116	" " " " " " " " " " " " " " Hinge Pin
91746	1126	" " " " " " " " " " " " Retaining Spring
1630e	2715	" " " " " " " " " " " " " " Lock Nut
XX21d	2715	" " " " " " " " " " " " " " Thumb Nut
91747		Presser Bar Gripping Bracket, complete, Nos. 430al, 1520r, 91587 and 91742 to 91745

No.	Plate	
94895	1126	Presser Bar Lifter ...
SS186d	1123	" " " " " " " " " " Hinge Screw
1518e	1125	" " " " " " " " " " " " Nut
94896	1118	" " " " " " " " " " Lifting Bracket with two 1259e
94696	1117	" " " " " " " " " " " " Plate
190f	1123	" " " " " " " " " " " " Binding Screw
1259e	1125	" " " " " " " " " " " " Set Screw
94941		Presser Bar Lifting Bracket, 94896 with 94696 and two 190f
94769	2714	Presser Bar Lifting Cam ...
794	1125	" " " " " " " " " " " " Set Screw
SS355e	1124	" " " " " " " " " " " " Screw Bushing
82130	1096	" " " " " " " " " " " " Spring (spiral)
94745	2714	" " " " " " " " " " " " (flat) for Machine fitted with Foot Lifter
8627	1128	" " " " " " " " " " " " (flat) with Foot Lifter
1539e	1125	" " " " " " " " " " " " Thumb Lock Nut
2714f	1123	" " " " " " " " " " " " Screw
94550	1117	Presser Foot (plain) with single toe serrated
94596	1117	" " " " " " " " " " " " two toes serrated
94899	1117	" " " " " " " " " " " " with two plain toes
50190d	2715	" " " " " " " " " " " " Thumb Screw
<i>NOTE: No. 94899 is sent with left machine unless another Presser Foot is specified on order.</i>		
95093	1467	Shuttle Bobbin ...
95094	1467	" " " " " " " " " " " " Cylinder
91042	1467	" " " " " " " " " " " " Hinge Pin
91043	1467	" " " " " " " " " " " " Latch Spring
SS574d	2715	" " " " " " " " " " " " " " Screw
98619	1694	" " " " " " " " " " " " Frame
95095	1467	" " " " " " " " " " " " Tension Spring
SS377f	1467	" " " " " " " " " " " " Adjusting Screw
98622	1694	Shuttle (Cylinder), 2 1/2" diam., complete, Nos. SS377f, SS574d, 91042, 91043, 95093 to 95095 and 98619
98607	1740	Shuttle Driver ...
11663	853	" " " " " " " " " " " " Pin
<i>NOTE: Shuttle Driver No. 98607 must be used in conjunction with Shuttle No. 98622 and vice versa. These new parts are not interchangeable with the old.</i>		
91048	303	Shuttle Guard ...
SS568d	2715	" " " " " " " " " " " " Thumb Screw
1549e	1122	" " " " " " " " " " " " Lock Nut
91049	1127	Shuttle Race with 91051, 91052 and 91055
94973		" " " " " " " " " " " " 91049 with 91051 and two 401f
SS32f	1122	" " " " " " " " " " " " Bearing Clamping Screw

No.	Plate						
N.N.8e	1122	Shuttle Race	Bearing Clamping Screw Nut
91050	853	"	" Cap
91051	1126	"	" Pin (short)
91052	303	"	" Pin (long)
91053	853	"	" Spring
41d	303	"	" " Screw
91054	303	"	" Loop Spreader
401f	1122	"	" " Screw
91055	1126	"	" Position Pin
91056	303	Shuttle Race	(adjustable), complete, Nos. 41d, SS568d, 1549e, 91048, 91050, 91053 and 94973
91057	873	Shuttle Race Slide	(back)
180d	1123	"	" " (") Screw (2)
91058	873	"	" (front)
91059	873	"	" " (") Spring
337d	1122	"	" " (") " Screw
91060		Shuttle Race Slide	(front), 91058 with 91059 and two 337d
91849	2714	Thread Take-up Cam	with SS320c and SS370c
SS320c	1124	"	" " " Set Screw
SS370c	1124	"	" " " Timing Screw
91850	2714	Thread Take-up Cam	91849 with 91769 and two 704c
91505		Thread Take-up Lever	
SS22f	1123	"	" " " Hinge Screw
92814	1116	"	" " " Roller
RR24	1125	"	" " " " and Stud
1519c	1122	"	" " " " " Nut
SS328c	1124	"	" " " " " Screw
91507	1096	Thread Take-up Lever	complete, Nos. RR24, SS328c, 1519c, 91505 and 92814
91787	2714	Thread Take-up Lever	(Auxiliary)
SS381d	1124	"	" " " (") Hinge Screw
1620c	1125	"	" " " (") " " Nut
RR17	1125	"	" " " (") Roller and Screw Stud
91788	1116	"	" " " (") Thread Eyelet
92814	1116	"	" " " (") " " Roller
1247f	1125	"	" " " (") " " " " " Screw
91789		Thread Take-up Lever	(Auxiliary), complete, Nos. 1247f, 91787, 91788 and 92814

No.	Plate						
91609	863	Throat Plate	(fine needle hole)
91610	863	"	" (coarse needle hole)
180f	1123	"	" " Screw (2)
NOTE: No. 91610 is sent with this machine unless other Throat Plate is specified on order.							
82550		Drip Pan	

PARTS COMPLETE

FOR

No. 45K84 MACHINE (Obsolete)

Flat Bed, Needle Bar Cam, Special High Lift and Compound Take-up for Heavy Leather up to $\frac{11}{16}$ " thick. Fitted with SPIRIT Heating Device for Hot Wax Stitching.

No.	Plate	
*94943		Arm with 446c, 82499 and 82549 ...
8582	1117	" Dowel Pin (2) ...
118c	1123	" Screw (3) ...
91755	1110	Arm Shaft ...
82499	1126	" " Bushing (back) ...
82549	1118	" " " (front) ...
446c	1124	" " " Set Screw ...
82400	1117	" " Oil Tube ...
144c	1123	" " Screw ...
94920	1131	Arm Side Cover ...
94921	1119	" " " Position Bracket ...
180f	1123	" " " " " Screw ...
94922	1131	Arm Side Cover Spirit Box with 91636 ...
94923	1130	" " " " " Burner Tube ...
94924	1117	" " " " " Regulator ...
91633	1131	" " " " " Cover with 91631 ...
69d	1123	" " " " " Hinge Screw ...
91634		" " " " " Knob ...
91635	1119	" " " " " Latch Spring ...
91636	1116	" " " " " " " Position Pin ...
219f	1123	" " " " " " " Screw ...
82462	1119	" " " " " " " Washer ...
94925		Arm Side Cover and Spirit Box, complete, Nos. 69d, 219f, 82462, 91633, 91635, 94920 to 94924 and two 180f ...
793d	1125	Arm Side Cover Thumb Screw ...

No. 45K84 MACHINE PARTS (Obsolete)

65

No.	Plate	
82403	1125	Arm Spool Pin ...
94903		Bed ...
98664	1121	Crank Connecting Rod with 94802, 94872 and two 158c ...
*94802		" " " Cap ...
94872	1740	" " " Oil Pad ...
158c	1123	" " " Screw ...
98627	1740	" " " Hinge Stud ...
98614	1740	" " " Collar Pin ...
1668c	1740	" " " " " Nut ...
94930	1120	Face Plate ...
SS45d	1123	" " " Screw (top) ...
158c	1123	" " " " (bottom) ...
82450	1126	" " " Thread Eyelet ...
SS50f	1122	" " " " Screw ...
91781	1126	" " " Guard ...
201d	1123	" " " " Screw ...
91357	1117	" " " Guide Wheel ...
52c	1123	" " " " Hinge Screw ...
SS429c	1124	" " " " " Reception Screw Stud ...
91782	1096	" " " Retaining Spring ...
1323f	1125	" " " " Adjusting Screw ...
91783	1096	" " " " Plate ...
91784	1096	" " " " Position Pin ...
94931		Face Plate, complete, Nos. SS50f, 52c, 201d, SS429c, 1323f, 82450, 91357, 91781 to 91784 and 94930 ...
94932	1131	Face Plate Flame Guard Plate ...
241f	1123	" " " " " Screw ...
94933	1131	Face Plate Spirit Box ...
94934	1116	" " " " Burner Tube ...
94935	1131	" " " " Cover ...
87d	1123	" " " " " Hinge Screw ...
91636	1116	" " " " " Stop Pin ...
94936		Face Plate Spirit Box, complete, Nos. 87d, 91636 and 94933 to 94935 ...

From the library of: Diamond Needle Corp.

No.	Plate	
91710	1096	Lifting Presser Plunger , complete, Nos. <i>RR51</i> , <i>SS3231</i> and 91739
91749	1110	Machine Pulley (three speeds) with two 434e
434e	1124	" " " " Set Screw
91763	1128	Needle Bar
91764	1126	" " " Cam with <i>SS202d</i> and two 701e
<i>SS202d</i>	1123	" " " Adjusting Screw
701e	1125	" " " Clamping Screw
82419	1096	" " " Guide
158c	1123	" " " " Screw (2)
<i>RR66</i>	2715	" " " Roller and Screw Stud
82520	853	Needle Clamp
156i	1123	" " " Screw
82524	853	" " " Thread Eyelet
50406d	1123	" " " " Screw
82522	1096	Needle Clamp 82520, with 156i, 50406d and 82524
98638	2000	Oscillating Rock Shaft with 98636, 98637, two each <i>SS537e</i> and 1698c
98642	1123	" " " " Hinge Pin
1513j	1125	" " " " " Nut
<i>SS534e</i>	2000	" " " " " Screw Bushing
1513j	1125	" " " " " Nut
98636	2000	" " " " Steel Plate (bottom)
98637	2000	" " " " " (top)
<i>SS537e</i>	2000	" " " " " Binding Screw
1698c	2000	" " " " " Lock Nut
98640		Oscillating Rock Shaft , complete, Nos. 1668c, 98644, 98627 and 98638
91028	873	Oscillating Shuttle Shaft
91029	853	" " " " Bushing
<i>SS39e</i>	1123	" " " " " Set Screw
91030	863	" " " " Collar with 453c
453c	1124	" " " " " Set Screw
98635	2000	" " " " Crank with <i>RR62</i> , 453c and 4518c
11663	853	" " " " " Pin
<i>RR62</i>	2000	" " " " " Roller and Screw Stud
1518c	1125	" " " " " " Nut
453c	1124	" " " " " Set Screw
94809	1128	Presser Bar (round)
91582	1121	" " " (flat) with 91169
<i>SS185f</i>	1123	" " " (") Adjusting Screw
<i>NX35d</i>	1125	" " " (") " " Lock Nut
52f	1123	" " " (") Hinge Screw

No.	Plate	
91583	1119	Presser Bar (flat) Locking Plate
<i>SS353d</i>	1124	" " " " " " Screw
91595	1124	" " " (") Lower Guide Bracket with 1571 and 91169
1571	1122	" " " (") " " " Clamping Screw
91169	2714	" " " (") " " " Retaining Spring Pin
<i>RR41</i>	1125	" " " (") " " " Roller and Screw Stud
91143	1119	" " " (") Retaining Spring
91169	2714	" " " (") " " " Pin
91742	1116	Presser Bar Gripping Bracket
91743	1116	" " " " " Block
91744	1119	" " " " " Retaining Pin
91745	1116	" " " " " Grip Lever
430a1	1122	" " " " " Adjusting Screw
1520e	1122	" " " " " " Nut
91587	1116	" " " " " Hinge Pin
91746	1126	" " " " " Retaining Spring
1650i	2715	" " " " " " Nut
<i>NX24e</i>	2715	" " " " " " Nut
91747		Presser Bar Gripping Bracket , complete, Nos. 430a1, 1520e, 91587 and 91742 to 91745
91895	1126	Presser Bar Lifter
<i>SS186d</i>	1123	" " " " " Hinge Screw
1518c	1125	" " " " " " Nut
91896	1118	" " " " " Lifting Bracket with two 423e
91696	1117	" " " " " Plate
1900	1123	" " " " " Binding Screw
1259e	1125	" " " " " Set Screw
91911		Presser Bar Lifting Bracket 91896 with 91696 and two 1900
91769	2714	Presser Bar Lifting Cam
704e	1125	" " " " " Screw
<i>SS355e</i>	1124	" " " " " Screw Bushing
82430	1096	" " " " " Spring (spiral)
91745	2714	" " " " " (flat) for Machine fitted with Foot Lifter
8627	1128	" " " " " " without Foot Lifter
1539d	1125	" " " " " Thumb Lock Nut
274d	1123	" " " " " " Screw
91550	1117	Presser Foot (plain) with single toe serrated
91596	1117	" " " " " " Two toes serrated
91899	1117	" " " " " " with two plain toes
50490d	2715	" " " " " " Thumb Screw
NOTE:		<i>NX</i> 91899 is sent with this machine unless another Presser Foot is specified on order.

No.	Plate	
95093	1467	Shuttle Bobbin
95094	1467	" Cylinder
91042	1467	" " Hinge Pin
91043	1467	" " Latch Spring
SS574d	2715	" " " " Screw
98619	1694	" Frame
95095	1467	" Tension Spring
SS377f	1467	" " " Adjusting Screw
98622	1694	Shuttle (Cylinder), 2 $\frac{1}{2}$ " diam., complete, Nos. SS377f, SS574d, 91042, 91043, 95093 to 95095 and 98619
98607	1740	Shuttle Driver
11663	853	" " Pin
<i>NOTE.—Shuttle Driver No. 98607 must be used in conjunction with Shuttle No. 98622 and vice versa. These new parts are not interchangeable with the old.</i>		
91048	303	Shuttle Guard
SS568d	2715	" " Thumb Screw
1549e	1122	" " " " Lock Nut
91049	1127	Shuttle Race with 91051, 91052 and 91055
94973	—	" " 91049 with 91054 and two 401f
SS32f	1122	" " Bearing Clamping Screw
N8e	1122	" " " " " Nut
91050	853	" " Cap
91051	1126	" " " Pin (short)
91052	303	" " " " (long)
91053	853	" " " Spring
41d	303	" " " " Screw
91054	303	" " " Loop Spreader
401f	1122	" " " " Screw
91055	1126	" " " Position Pin
91056	303	Shuttle Race (Adjustable), complete, Nos. 41d, SS568d, 1549e, 91048, 91050, 91053 and 94973
91057	873	Shuttle Race Slide (back)
180d	1123	" " " (") Screw (2)
91058	873	" " " (front)
91059	873	" " " (") Spring
337d	1122	" " " (") " Screw
91060	—	Shuttle Race Slide (front) 91058, with 91059 and two 337d
94849	2714	Thread Take-up Cam with SS320c and SS370c
SS320c	1124	" " " Set Screw
SS370c	1124	" " " Timing Screw
94850	2714	Thread Take-up Cam 94849 with 91769 and two 701c

No.	Plate	
91505	—	Thread Take-up Lever
SS22f	1123	" " " Hinge Screw
92814	1116	" " " Roller
RR24	1125	" " " " and Stud
1519e	1122	" " " " " Nut
SS328e	1124	" " " " Screw
91507	1096	Thread Take-up Lever , complete, Nos. RR24, SS328e, 1519e, 91505 and 92814
91787	2714	Thread Take-up Lever (Auxiliary)
SS381d	1124	" " " (") Hinge Screw
1620c	1125	" " " (") " " Nut
RR17	1125	" " " (") Roller and Screw Stud
91788	1116	" " " (") Thread Eyelet
92814	1116	" " " (") " Roller
1247f	1125	" " " (") " " Screw
91789	—	Thread Take-up Lever (Auxiliary), complete, Nos. 1247f, 91787, 91788 and 92814
91609	863	Throat Plate (fine needle hole)
91610	863	" " (coarse needle hole)
180f	1123	" " Screw (2)
<i>NOTE.—No. 91610 is sent with this machine unless other Throat Plate is specified on order.</i>		
S2550	—	Drip Pan

Accessories

Accessories supplied with No. 45K80 Machine

No.	Plate	
95093	1467	Bobbin (2)
—	—	Instruction Book
84118	1072	Machine Button with 84151 and Wood Screw 1 $\frac{1}{4}$ " No. 9, R.H.B.
84151	—	" " Washer (leather)
12405	2714	" Rest (felt) (4)
28084	—	" " Nail (4)
—	—	Needle (6)
120342	1600	Oiler
86611	1600	Screw Driver (large)
120378	—	" " (small)
8908	1072	Wrench

Accessories supplied with No. 45K82 Machine (Obsolete)

These Accessories are the same as for No. 45K80 Machine, with the following addition :

No.	Plate	
86196	1119	Threading Hook

Accessories supplied with No. 45K84 Machine (Obsolete)

These Accessories are the same as for No. 45K80 Machine, with the following additions :—

No.	Plate	
94962	1127	Shuttle Heating Spirit Lamp
94966	1127	" " " " Holder
—	—	" " " " " Screw (wood) $\frac{1}{2}$ " No. 5 (3)
94960	—	" " " " " Wick (6" long)
86196	1119	Threading Hook

Attachments

Attachment for Saddlery Work

No.	Plate	
85749	176	Base
85750	176	" Spring
85751	176	" " Regulator with SS310d
SS310d	2715	" " " Thumb Screw
207d	1123	" " Screw
85325	—	" " " Washer
85752	176	Binder only, complete, Nos. 207d, 85325 and 85749 to 85751
85822	176	Combination Guide
85823	176	" " Base
161d	1123	" " Screw
85514	—	" " " Washer
85824	176	Combination Guide, complete, Nos. 161d, 85514, 85822 and 85823
85535	176	Presser Foot
85829	176	Saddlery Attachment , complete, Nos. 85535, 85752, and 85824

Binder (Adjustable) for Horse Rugs.

No.	Plate	
86209	864	Base and Folder with SS25
86210	864	" Guide Wire
50053d	2715	" " " Thumb Screw
SS25	2715	" Screw Stud
86211	864	Guide (top)
NN19d	864	" Thumb Nut
85514	—	" " " Washer
86212	864	Binder only, complete, Nos. NN19d, 50053d, 85514 and 86209 to 86211
86279	864	Presser Foot
86290	864	Binder , complete, Nos. 86212 and 86279

Binder (Adjustable) for Leather and Motor Car Hood Binding

No.	Plate	
86202	860	Base
86203	860	Guide (top)
86204	—	" (bottom) with 1075e
1075e	2715	" (") Screw Stud
1536d	2715	" Regulating Thumb Nut
86205	860	Binder only, complete, Nos. 1536d and 86202 to 86204
91552	860	Presser Foot
86284	860	Binder , complete, Nos. 86205 and 91552

Welting Attachment for Carriage Cushions

No.	Plate	
85495	—	Base and Folder
85496	—	Top Guide
50053d	2715	" " Thumb Screw
85497	836	Welter only, complete, Nos. 50053d, 85495 and 85496
86144	836	Presser Foot (grooved for cord)
86145	836	Welting Attachment, complete, Nos. 85497 and 86144

Welting Attachment (Adjustable) for Carriage Cushions

No.	Plate	
86214	859	Welter Base Guide
86215	859	" Braid Guide with SS26
207d	1123	" " " Screw
85325	—	" " " Washer
SS26	2715	" " " Stud
NN44d	859	" " " Thumb Nut
86216	859	" Cord Guide
449c	2715	" " " Set Screw
86217	859	Welter only, complete, Nos. NN44d, 207d, 449c, 85325 and 86214 to 86216
86144	859	Presser Foot (grooved for cord)
86285	859	Welting Attachment, complete, Nos. 86144 and 86217

Welting Attachment for Heavy Boots

No.	Plate	
91552	860	Presser Foot
86135	860	Guide (plain)
86127	860	Welt Guide
86289	860	Welting Attachment, complete, Nos. 86127, 86135 and 91552

Welting Attachment for Leather Bags, Portmanteaux, etc.

No.	Plate	
86286	859	Welt Guide
86287	859	" " Base
703d	859	" " Thumb Screw
91547	859	Presser Foot
86288	859	Welting Attachment, complete, Nos. 86286, 86287, 91547 and two 703d

Bobbin Winders

Bobbin Winder (Friction) for No. 45K80 Machine with Fast Pulley

No.	Plate	
82527	838	Bracket
SS56d	1122	" Screw
82528	838	Frame
32d	1122	" Hinge Screw
5960	1072	Friction Wheel (leather)
5961	1072	" " Washer
333r	1122	" " " Screw
91446	838	Spindle
5963	1072	" Flange
91447	838	Frame, complete, Nos. 333r, 5960, 5961, 5963, 82528 and 91446
82537	838	Spring
161d	1123	" Screw
82538	838	" " Washer
91448	1129	Bobbin Winder, complete, Nos. 32d, 161d, 82527, 82537, 82538 and 91447

Bobbin Winder (Eccentric) for Nos. 45K82 and 45K84 Machines (Obsolete) with Fast Pulley

No.	Plate	
80817	1129	Eccentric
SS469d	2715	" Thumb Screw
82470	1129	Frame
SS56d	1122	" Screw
5960	1072	Friction Wheel (leather)
5961	1072	" " Washer
333r	1122	" " " Screw
82471	1129	Spindle
5963	1072	" Flange
82473	1129	Bobbin Winder, complete, Nos. 333r, SS469d, 5960, 5961, 5963, 80817, 82470 and 82471

Bobbin Winder (Friction) for Machines with Driving Attachment

This Bobbin Winder is the same as 91448, with the following exceptions:

No.	Plate	
91476	838	Bracket
91477	—	Bobbin Winder, complete, Nos. 32d, 161d, 82537, 82538, 91447 and 91476

Bobbin Winder (Swinging Automatic, Right Hand) for 95093

No.	Plate							
27540	1487	Base
—	—	"	Screw (wood), 1" No. 7 R.H.
27302	1129	Frame
50356d	1487	"	Hinge Screw
1620j	1125	"	" " Nut
27303	1126	"	Spring
27541	1487	Pulley
98673	1487	Spindle
27306	1129	Spool Pin
27307	1129	"	Stand
†27308	—	"	" 27307 with 418d, 1562j, 2106, 10141, 27306, two each 2455 and Wood Screws, 1" No. 10
95197	1487	Stop Latch
35d	1122	"	" Hinge Screw
2455	1126	Tension Disc
1562j	1122	"	Regulating Thumb Nut
418d	1122	"	Screw Stud
10141	1126	"	Spring
2106	1126	Thread Guide
95198	—	Bobbin Winder, Nos. 35d, 1620j, 27302, 27303, 27540, 27541, 50356d, 95197, 98673 and two Wood Screws 1" No. 7 R.H.
95199	—	Bobbin Winder, complete, Nos. 27308 and 95198

†As No. 27308 can be supplied either Plated or Japanned, it is necessary, when ordering, to state which is required.

Foot Lifter

No.	Plate							
91716	—	Arm Lever
694d	861	"	" Hinge Screw
91457	755	Foot Lever with 176c
91459	755	"	" Bracket
17881	755	"	" " Hinge Pin
—	—	"	" " Screw (wood), 1" No. 12
91458	755	"	" Extension
176c	1122	"	" " Set Screw
98626	755	"	" Spring
91454	—	Foot Lever only, complete, Nos. 17881, 91457 to 91459, 98626 and two Wood Screws, 1" No. 12
17877	755	Foot Lever Pitman Rod (lower)
17878	755	"	" " " (upper)
17879	755	"	" " " Clamp with two 161d
161d	1123	"	" " " " Screw
17880	755	Foot Lever Pitman Rod, complete, Nos. 17877 to 17879
91453	755	"	" " " Connecting Hook (7" long)
91455	—	Foot Lever, complete, Nos. 17880 and 91454
91456	—	Foot Lifter, complete, Nos. 694d, 91453, 91455 and 91716

Singer Driving Attachment

No.	Plate		
91473	861	Balance Wheel with 434c, 451c, 91475 and four 402c	...
91474	861	" " Friction Pulley (two-speeds) with 448c and 91294	...
448c	1122	" " " " Set Screw	...
91294	861	" " " " Centre Bearing	...
91475	861	" " " " Ring (cardboard)	...
402c	861	" " " " " Screw	...
434c	1124	" " Set Screw (long)	...
451c	861	" " " " (short)	...
91296	755	Starting Lever	...
91297	755	" " Bracket	...
91298	—	" " " Hinge Pin	...
—	—	" " " Screw (wood), 1 $\frac{1}{4}$ " No. 15	...
91299	755	" " Nos. 91296 to 91298 and three Wood Screws, 1 $\frac{1}{4}$ " No. 15	...
17877	755	Starting Lever Pitman Rod (lower)	...
17878	755	" " " " (upper)	...
17879	755	" " " " Clamp with two 161d	...
161d	1123	" " " " " Screw	...
17880	755	Starting Lever Pitman Rod, complete, Nos. 17877 to 17879	...
91460	—	Starting Lever and Pitman, complete, Nos. 17880 and 91299	...
84275	—	Grooved Shaft Pulley, 10" diameter, with two 597c	...
597c	2715	" " " Set Screw	...
91301	861	Lever with 7958 and 91306	...
91302	861	" Bracket	...
SS38c	1122	" " Screw	...
91303	861	" Centre Plug (wood)	...
427c	1122	" " " Adjusting Screw	...
1508e	861	" " " " " Nut	...
91306	—	" Friction Pad (leather)	...
693d	1122	" Hinge Screw	...
NN28c	861	" " " Nut	...
91307	861	" Spring	...
161d	1123	" " Screw	...
7958	—	" " " Pin	...
91309	—	Lever, complete, Nos. NN28c, 161d, 427c, 693d, 1508e, 91301 to 91303, 91307 and two SS38c	...
91478	—	Driving Attachment, complete, Nos. 84275, 91309, 91460, 91473 and 91474	...

Obsolete Parts

No.	Plate		
94801	—	Crank Connecting Rod with 94802, 94872 and two 158c	...
14026	—	Face Plate Swing Cover Hinge Block Steady Pin for 45K82 and 45K84 Machines	...
3033	—	Feed Connecting Link	...
2269	1126	" Rock Shaft Retaining Spring Pin	...
94945	1130	Heating Tube	...
94938	1116	" " Burner (short)	...
94939	1116	" " " (long)	...
94947	—	Heating Tube, complete, Nos. 94939, 94945, 94946, two each 180f, 91363 and 94938, for 45K82 Machine	...
82464	1116	Oil Box Oil Pad Screw Washer for 45K80 Machine	...
98628	1740	Oscillating Rock Shaft with 91025, 94972 and two 91026	...
6489	—	" " " Hinge Pin	...
91025	1118	" " " Steel Plate (bottom)	...
94972	—	" " " " " (top)	...
91026	1118	" " " " " Ring	...
98634	—	" Shuttle Shaft Crank with 4462, 453c and 1518c	...
1850	1125	" " " " Roller and Stud	...
98629	—	Oscillating Rock Shaft, complete, Nos. 1668c, 98614, 98627 and 98628	...
91112	1126	Presser Bar (flat) Lower Guide Bracket Retaining Spring Pin	...
91112	1126	" " (") Retaining Spring Pin	...
233f	1467	Shuttle Cylinder Latch Spring Screw	...
95186	1467	" Frame	...
95096	1467	Shuttle (Cylinder), 2 $\frac{1}{2}$ " diam., complete, Nos. 233f, SS377f, 91042, 91043, 95093 to 95095 and 95186	...
91597	853	Shuttle Driver	...
91785	1118	Thread Take-up Cam with SS320c and SS370c	...
91786	1118	" " " 91785 with 91769 and two 70f	...

From the library of the National Sewing Machine Museum